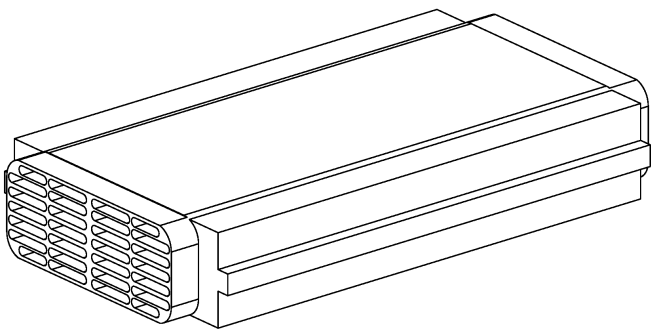


MOUNTING INSTRUCTIONS

Plasma Filter



CONTENT TABLE

Features	3
Important warnings	4
Warning and instructions for installation	5
Mounting instructions	6
Warning for operation	9
Warranty and conditions	10
Final remarks	11

Thank you for choosing a Steel plasma filtering system, for following our concept of sustainability, and for choosing to be more environmentally aware!

Our plasma filter will clear your indoor air through a physico-chemical process: dust particles, microorganisms (mould spores, dust mites, bacteria, and viruses), cigarette smoke, and annoying cooking odours will be destroyed by an ionization process in their molecular structure and decomposed into the basic elements CO₂ (carbon dioxide), O (oxygen), and a low level of residual moisture. This happens without the use of chemical additives. Our process does not release any ozone, and you will feel that the air quality is improving while using the system. Plasma filters are certified and offer you a future-oriented and groundbreaking technology of air purification.

Our Plasma filter is specially developed to fit into the Mistral range cooker. No space needed behind the cooker as it is installed into the storage drawer. Easy installation. Little amount of parts to be assembled

Features

User friendly

- Easy and quick to install (plug and play)
- Can be retrofitted to existing cooker hoods
- Low weight and dimensions

Improving the quality of housing and life

- Eliminates up to 99% of all odours
- Removes viruses, pollen, bacteria and other allergenic substances, including tobacco smoke
- No ozone release (VDE and IUTA certified)

Energy efficiency

- No maintenance necessary
- Low energy consumption
- Automatic switch on and off by extractor hood
- Self-cleaning system of the filter

Cost saving

- No change of filter needed
- No exhaust air treatment system necessary (exhaust air becomes recirculated air)
- The filter will last the lifetime of the cooker hood

Certified safety

- VDE certification (including ozone test)
- IUTA certificate (Ozone Test Energy and Environmental Institute, Duisburg)

Some technical data

- Size: 280x540x92 mm
- Air output: 800 m³/h
- Connection voltage: 210-250 Volt
- Connection dimension 222x90 mm
- Weight: 6 kg

Important warnings

Only use STEEL filters with a commercially available extraction unit with grease filters in combination with fire-retardant properties.

There should always be good ventilation to ensure that there is sufficient oxygen in the room air. Commercial branded hoods also point this out!

Please do not put any objects into the aira module! There is a risk of electric shock! ALWAYS work on the module with the mains plug unplugged!

Touching with wet hands or objects also implies a risk of electric shock. Always work on the module with the mains plug unplugged!

The blocking of the air inlet or outlet is to be avoided in any case. If necessary unplug the mains plug!

If the module shows damage, it must not be used!

Persons with reduced physical, sensory or mental abilities or the lack of experience, such as children from the age of 8 may use this module only under the supervision of a competent person. Further warnings can be found in the following chapters.

The module is not to be used as a toy for children!

Cleaning or maintenance work must not be carried out by children without a competent person!

Please follow the installation instructions and warnings of your extractor hood.

STEEL plasma filter was designed exclusively for use in private households!

As in the manual of your extractor hood, we would also like to point out that you should never allow high flames to develop under the hood! Also do not flambé under fume hoods, as both can lead to a fire hazard and cause considerable consequential damage!

Likewise, overheated oil poses a potential fire hazard. Never extinguish with water!

Carbon monoxide or other chemical gases can not be removed with the STEEL plasma filter

Warnings and instructions for installation

The STEEL plasma filter module should only be connected with the cable connector belonging to the unit! (Warranty)

If the cable is damaged, the device must be returned to the dealer/manufacturer for scrapping.

Carefully open the packaging, remove the STEEL plasma filter module and check the packing unit for completeness!

Keep the packaging in a safe place until the functional test has been carried out to ensure correct operation and, if necessary, use it for return shipments. Otherwise, please dispose of in an environmentally friendly manner. Thank you!

Please refer to the illustrated installation instructions below and follow them step-by-step. Check the connection between the STEEL plasma filter module and the motor outlet for strength to prevent air leakage for the system to operate properly.

Check whether the mains plug is freely accessible after installation of the module! The integrated mains connection cable can not and must not be replaced.

NOTE: Failure to install the STEEL plasma filter in accordance with these instructions will void the warranty on the STEEL plasma filter with immediate effect!

All STEEL plasma filter modules listed in this manual are plug-in products. For details, please refer to the installation instructions and the following pages.

The mains supply should be provided by a nearby socket (210-250 V / 50 Hz).

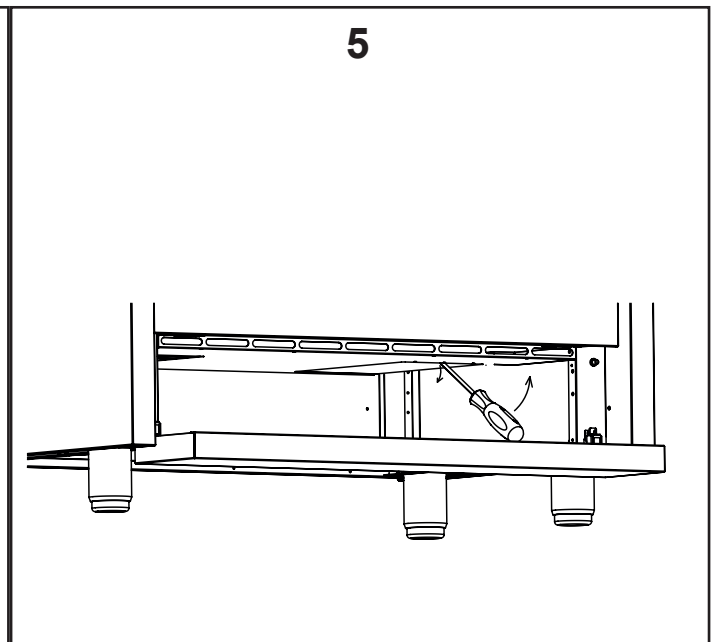
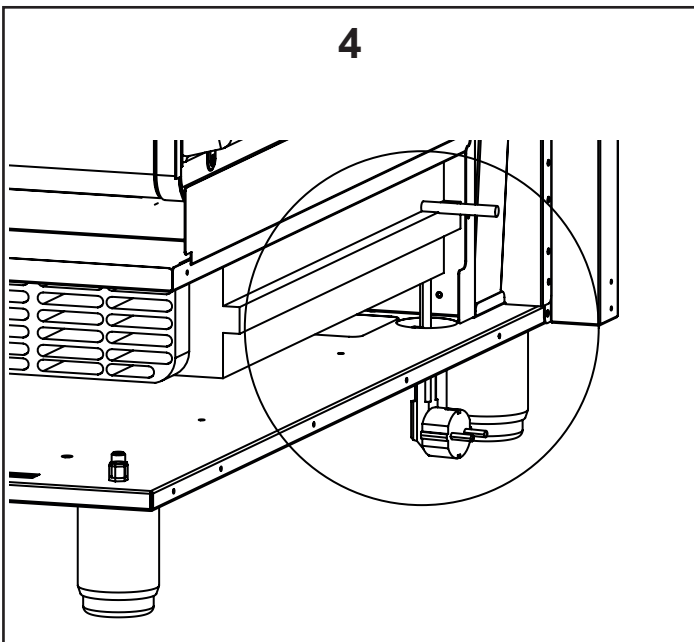
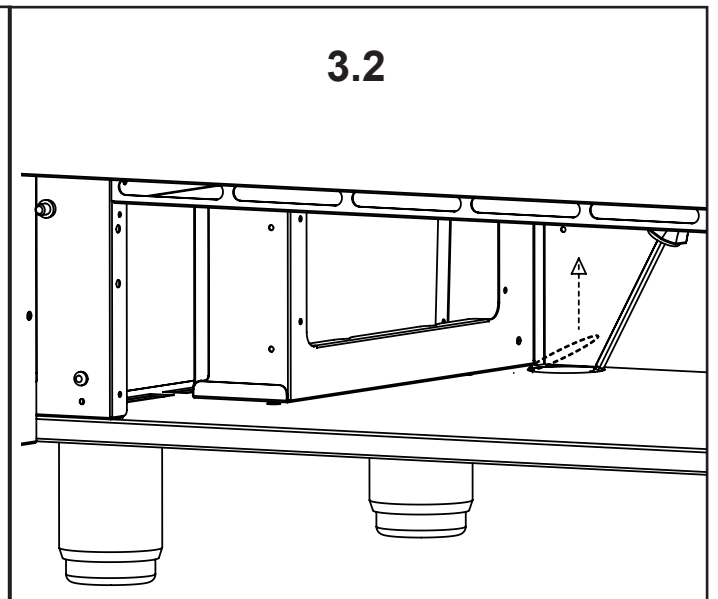
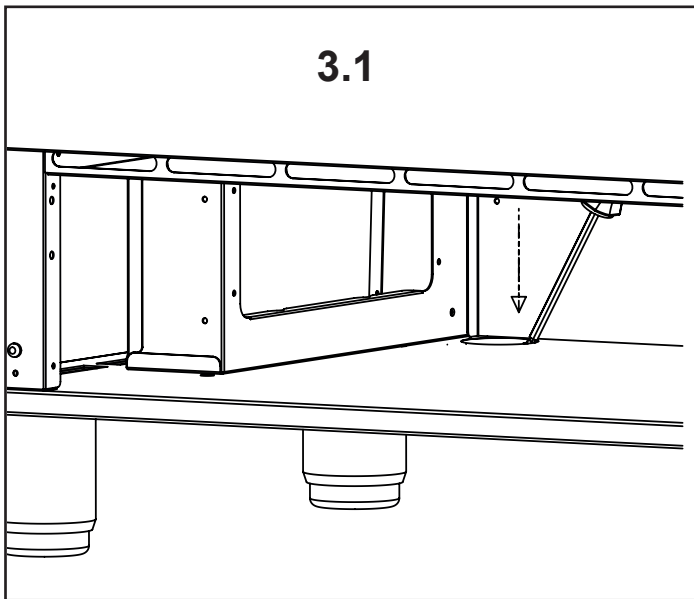
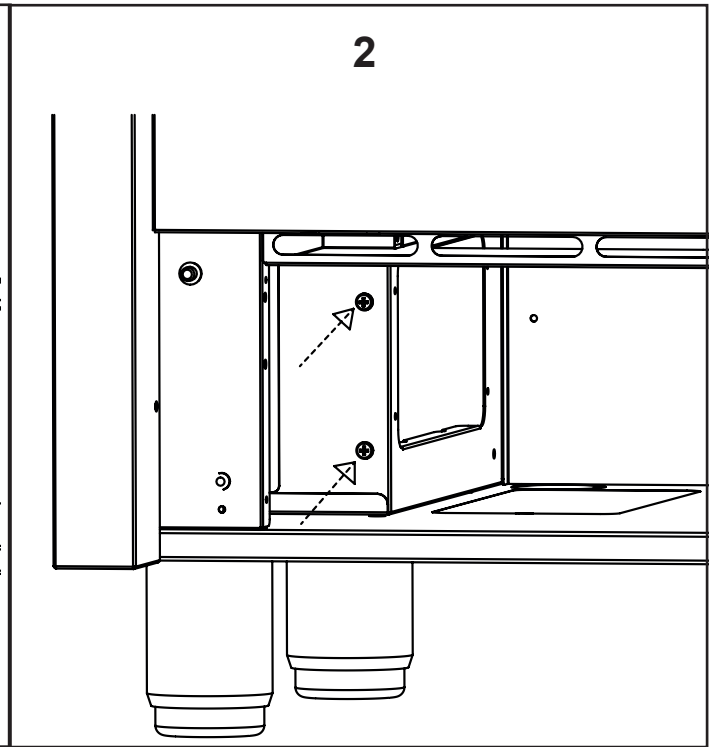
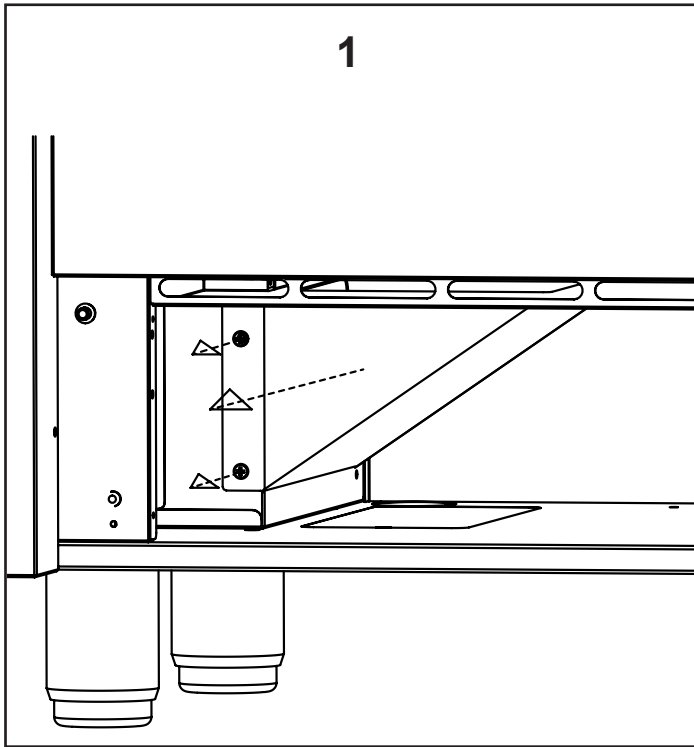
Potential small black spherical particles in the packaging may have originated from the high-performance carbon filter and released during transport. These particles are harmless and can be disposed of with household waste. Please do not use them for consumption! The functionality of the STEEL plasma filter will not be affected!

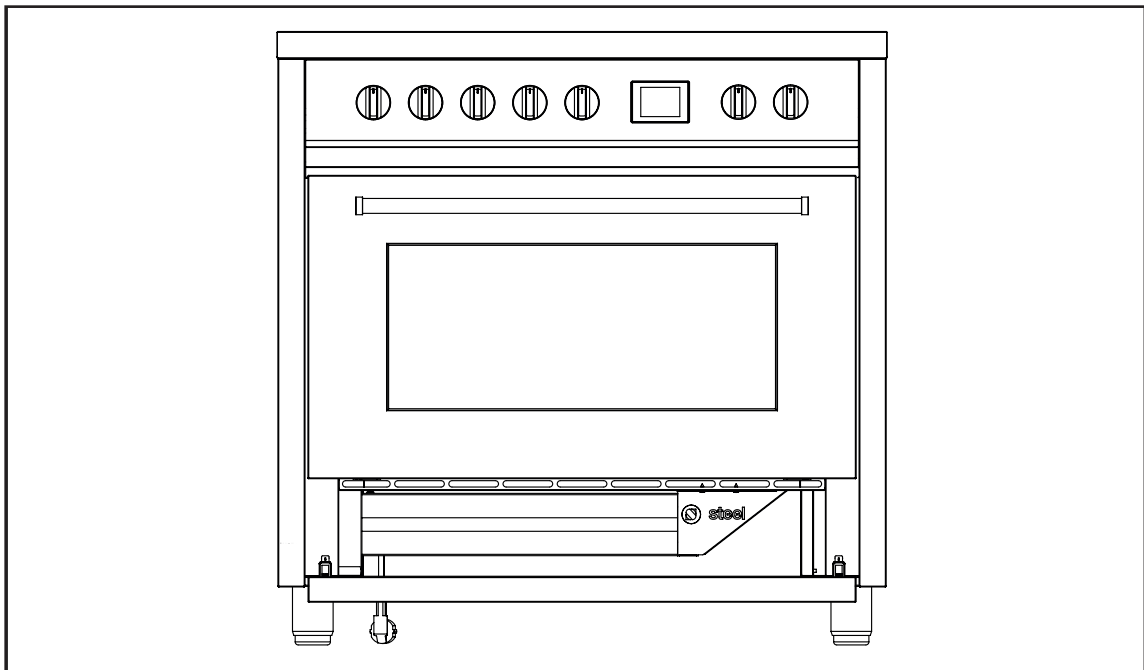
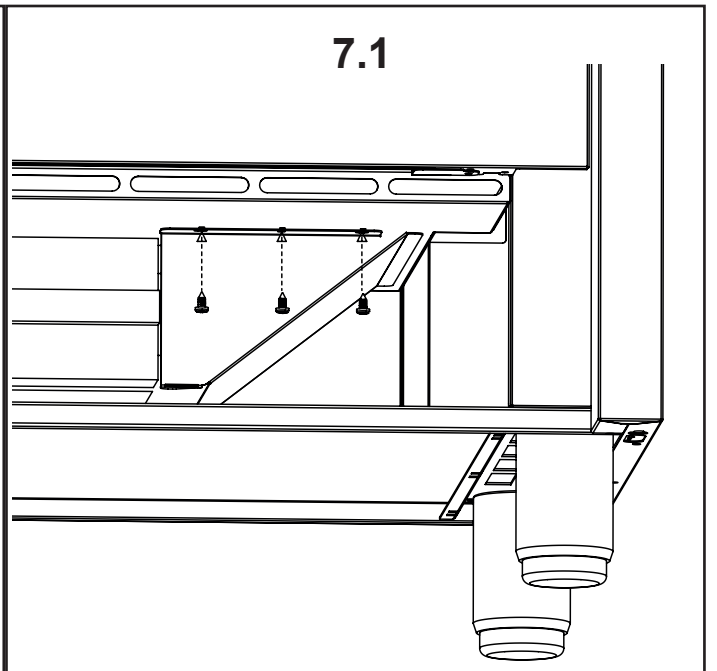
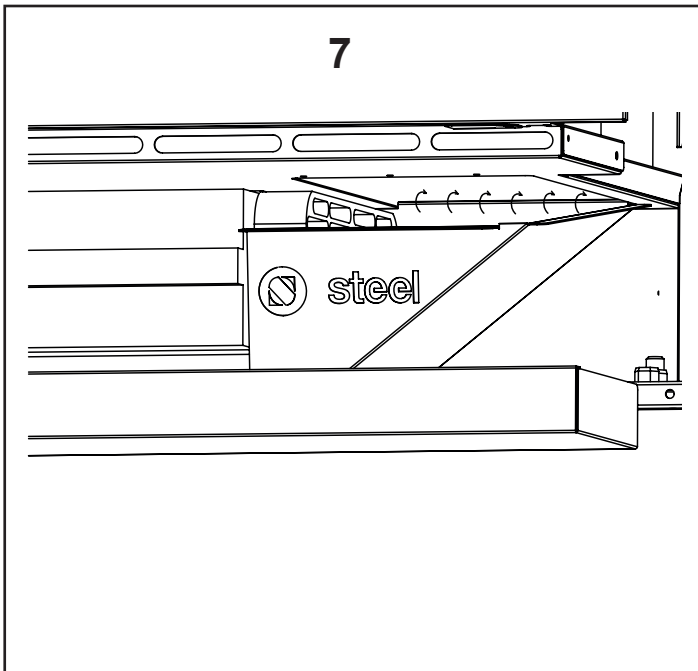
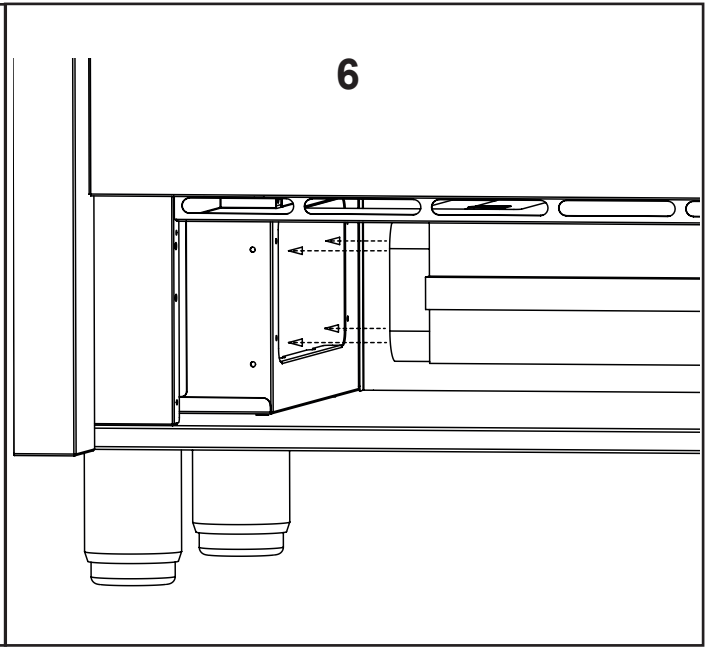
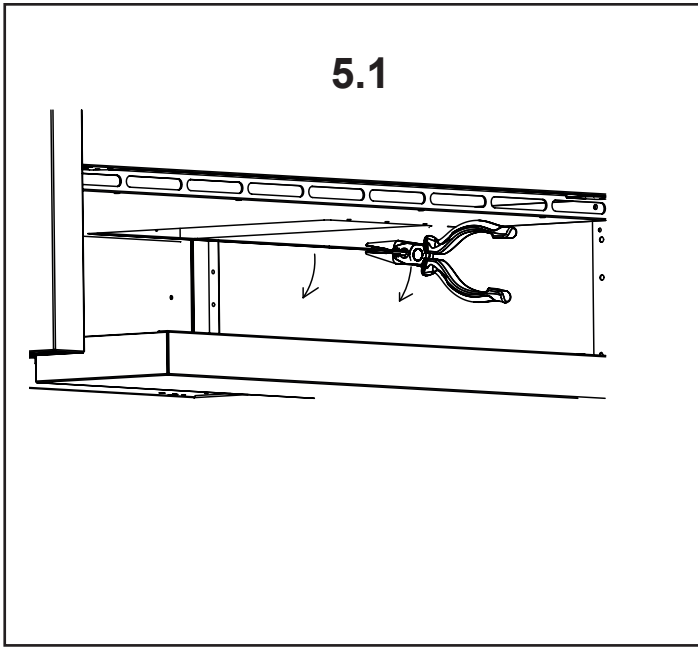
The device may only be operated with the supplied supply cable.



Pay attention: we suggest to remove the one-way valve of the hood before mounting the plasma filter on top of the motor to avoid annoying noises!

Mounting instructions





Warning for operation

For optimal room air cleaning, it is imperative for your extractor hood to be adequately ventilated and adapted to the respective steam development:

- Start your extractor hood at level 1 or 2 10 minutes before cooking
- After completing the cooking process, the extractor hood must run for at least 10 minutes at level 1 or 2
- If the volume of the room exceeds 50m³ (width x length x height = room volume), the follow-up time should be at least 15 minutes
- The distance between filter and equipment should be at least 10 mm.
- If grills or deep fryers are used, double the time required for post-ventilation.

THE STEEL PLASMA MODULE ACTS AS AN AIR PURIFYER EVEN AT LOW SPEED, CLEANING THE AIR NOT ONLY FROM KITCHEN FUMES AND ODOURS, BUT ALSO ALL SORTS OF ALLERGENS, BACTERIA, POLLEN AND VIRUSES, ENSURING HEALTHY INDOOR AIR

CARE AND MAINTENANCE

If the Plasma filter is installed according to the instructions, it requires no maintenance.

Make sure, however, that the metallic grease filter of your cooker hood is cleaned regularly and is free from grease (as recommended by the manufacturer of the cooker hood) to prevent permanent deterioration of the plasma filter.

Any malfunctions of the plasma filter caused by an excess of grease deposited on the surface of the plasma filter itself, due to lack of maintenance of the metallic filter, will invalidate the warranty on the product.

Warranty and conditions

We at STEEL are extremely happy about your purchase of one of our high-tech modules and are convinced that your living comfort will be enhanced by fresh and purified air.

We grant a 60-month warranty on our products, provided that they are installed correctly and professionally. It is essential to observe the pre- and post-run times of the cooker hood (see page 10 Warnings for operation).

If you still have reasons to complain, please contact your dealer, who will then contact us. Together we will find a solution.

Final remarks

The operating instructions of the manufacturer must be read carefully before installation!

If there is no function, please check first:

- a) whether the power supply is guaranteed (check socket / possibly connect another device)
- b) whether the appliance plug is faulty or firmly plugged into the socket.

The INSTALLATION OF STEEL plasma FILTERS

The STEEL plasma filter is relatively easy to install. The installation of the STEEL plasma filter is intended as retrofitting or conversion of an already existing extractor hood unit or its use in circulating air operation.

The step-by-step procedure is described in this installation description. Please dispose of it in an environmentally friendly way. Thank you!

The STEEL plasma filter module complies with the requirements of the EU regulations and the WEEE (Waste Electrical and Electronic Equipment) Directives! All components of the STEEL plasma filter module are recyclable!

The packaging materials can be environmentally friendly recycled.

This installation instruction has been prepared by our technicians with all due care. No legal claims can be derived from printing or spelling mistakes!



The manufacturer of the product(s) described herein, to which this declaration refers, hereby declares under his sole responsibility that these product(s) comply with the relevant, basic safety, health and protection requirements of the existing EC Directives and that the corresponding test control, in particular the CE Declaration of Conformity duly issued by the manufacturer or his authorised representative, is available for inspection by the competent authorities and can be requested via the equipment vendor.

