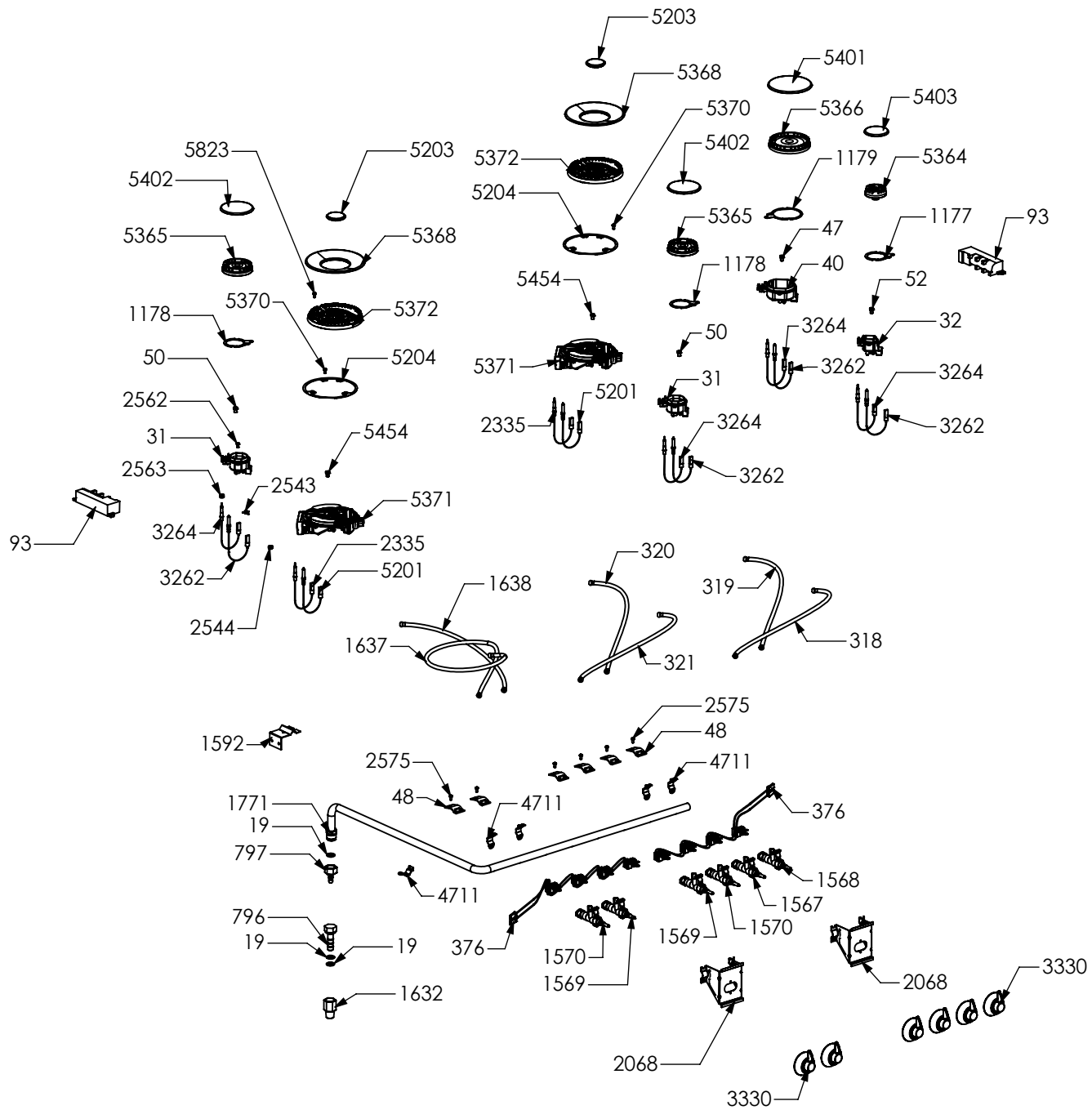
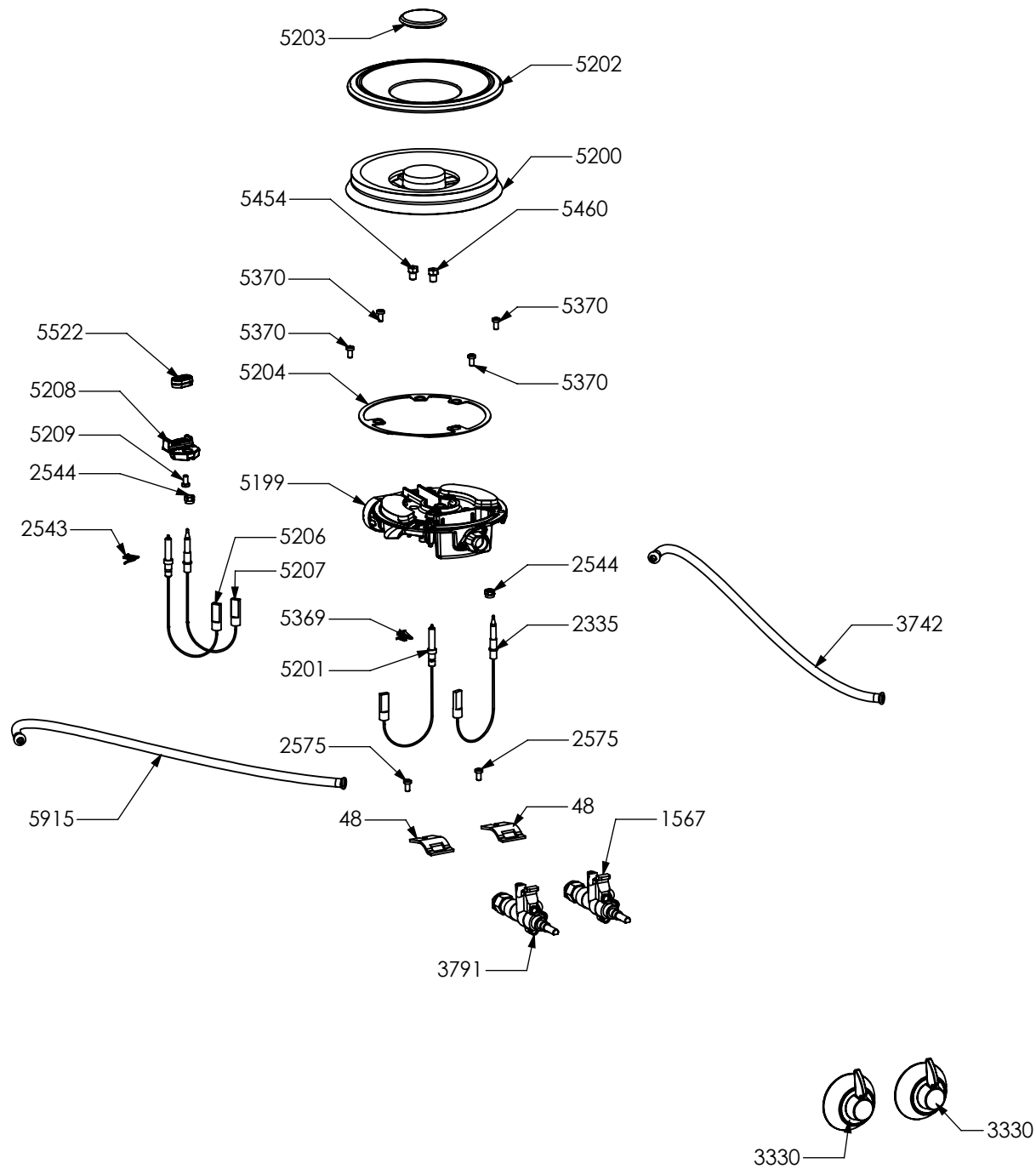


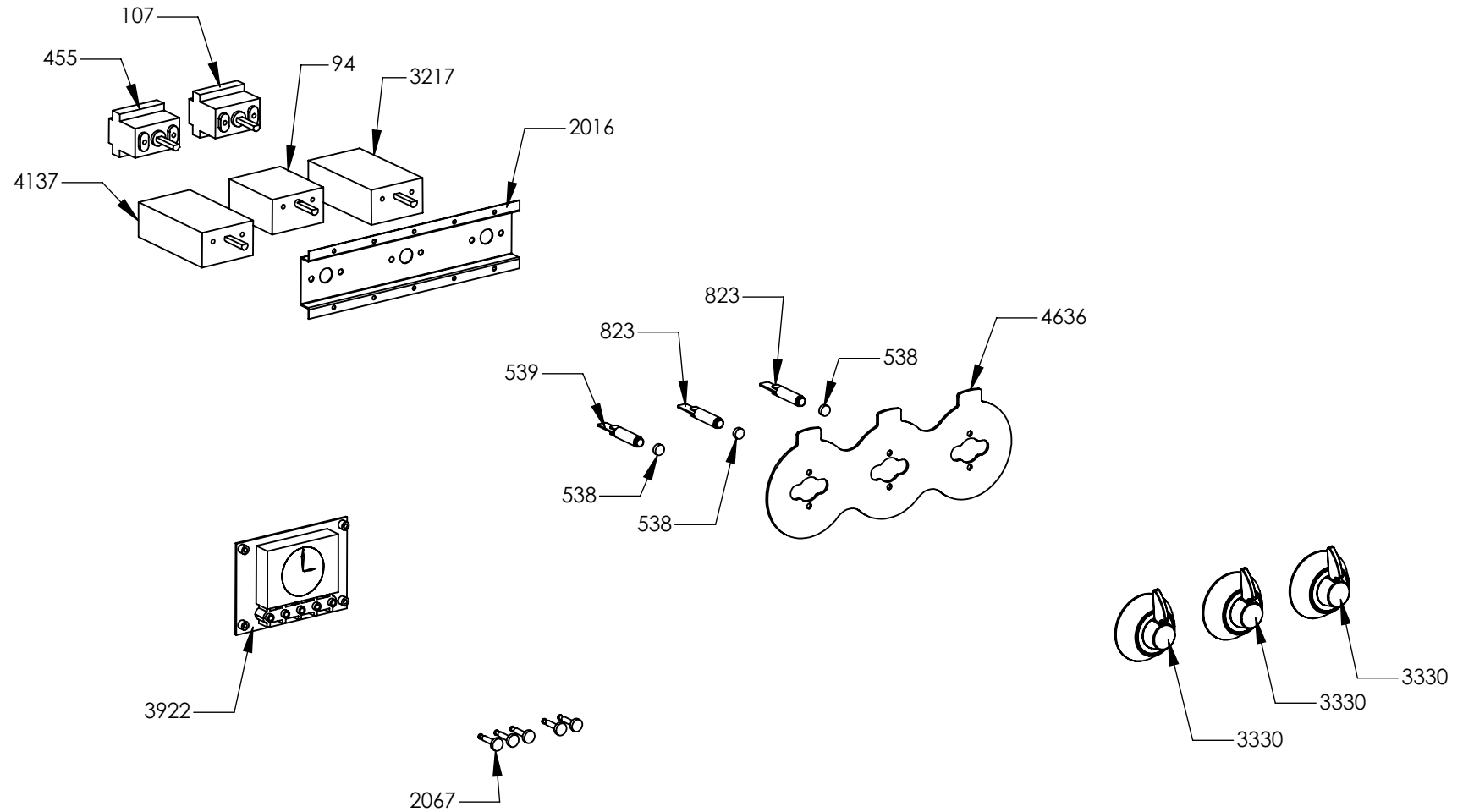
N° Object	Code	Description	Qty
731	ZS0565	Cast-iron grid for wok	1
1014	ZS2026	Thermostat TY60 N.O. fixing B	2
1441	ZS2665	Support for fan timelag device	2
1575	ZS2931	Spacer between glasses	2
1957	ZS3495	Washer 4.3 x 10 x 3	4
2001	ZS3186	Back splash for cooker 120 Ascot	1
2034	ZS3536	Profile control panel drawer 120 Ascot chromed	1
2053	ZS3644	Support for internal support control panel 120 Ascot	1
2263	ZS4068	Control panel front 7/8 burners M Ascot 120 S.STEEL with serygr.	1
3031	ZS4390	Cast-iron grid 1 burner Ascot 07	1
3032	ZS4391	Cast-iron grid 2 burners Ascot 07	3
5036	ZS7681	Complete upper right side Ascot	1
5037	ZS7682	Complete upper left side Ascot	1
5061	ZS7860	Complete spill tray cooker 120 7 burners Ascot	1
5191	ZS8175	Handle for hob cooker Ascot 120 chromed terminal nickel	1



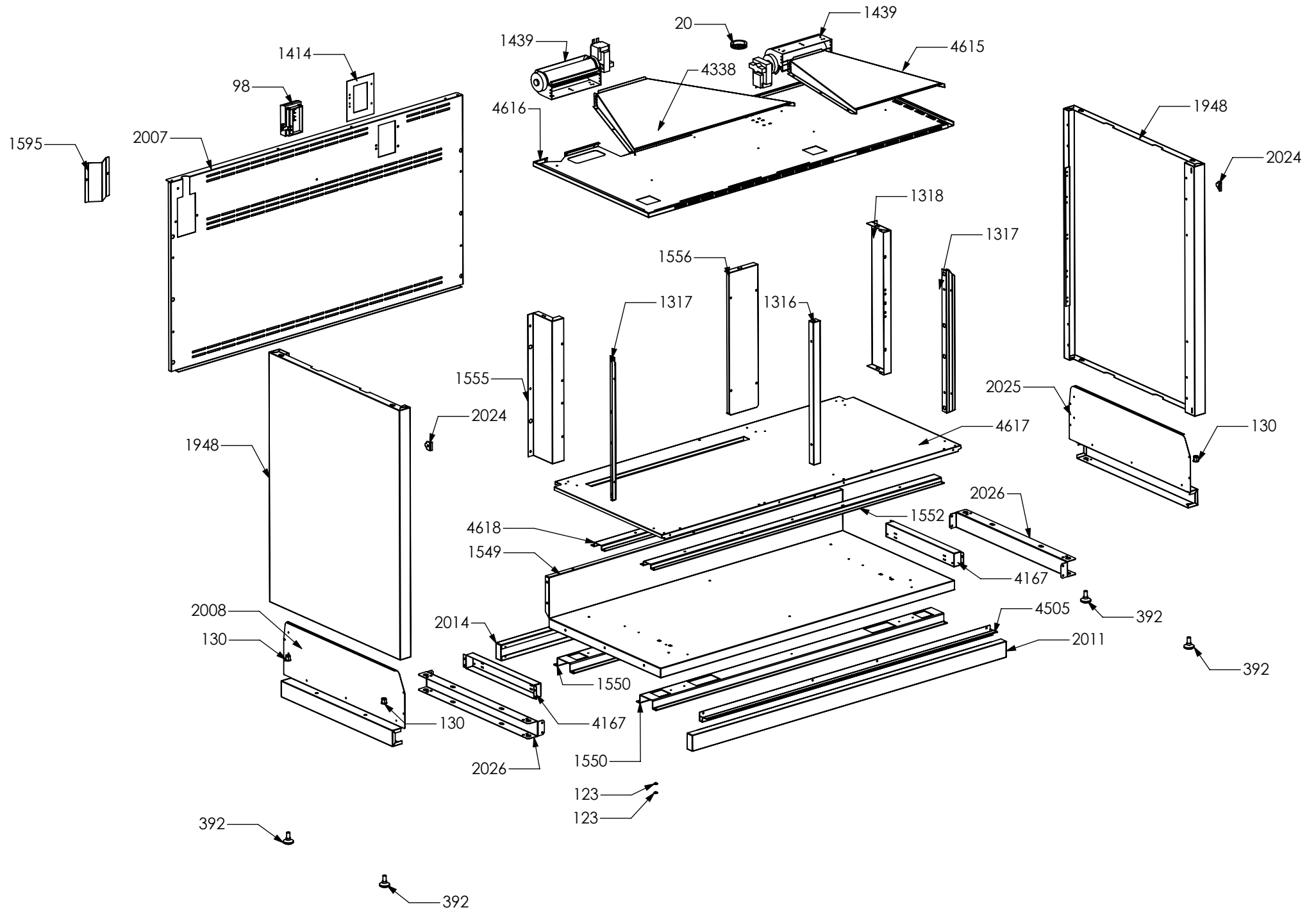
N° Object	Code	Description	Qty	N° Object	Code	Description	Qty
19	400689	Gasket gas inlet	3	2068	ZS3791	Ramp fixing support Ascot /XXL	2
31	414121	Semi-rapid burner body G20 0,97	2	2335	ZS4181	Thermocouple SBF L=600 t.c.4.5	2
32	414123	Auxiliary burner body G20 0,72	1	2543	601229	Spring fixing spark plug for triple ring P-4	1
40	414212	Rapid burner body G20 1,15	1	2544	ZS4186	Fixing nut for thermocouple burner 4.5	1
47	421312	Rapid burner nozzle G30/31 29/37 mbar 0,85	1	2562	506037	Screw M3x8 TC s.steel	8
48	421323	Gas taps fixing bridle M60	6	2563	ZS0907	Fixing nut for themocouple	5
50	423948	Semi-rapid burner nozzle G30/31 0,65	2	2575	505241	Screw M4	6
52	423951	Auxiliary burner nozzle G30/30 0,50	1	3262	ZS5270	Burner spark plug Cast	4
93	481787	Ignition system 4 flames	2	3264	ZS5272	Thermocouple Cast L=770	4
318	ZS0632	Pipe ramp for front right auxiliary burner cooker 120 d.o. 8 burners	1	3330	ZS5412	Ascot chromed knob	6
319	ZS0633	Pipe ramp for rear right rapid burner cooker 120 double oven 8 burnes	1	4711	ZS6772	Clamp support for main ramp	5
320	ZS0634	Pipe ramp for rear central right triple ring burner cooker 120 double oven	1	5201	ZS8191	Wok burner spark plug sbf DCC M+G INT	2
321	ZS0635	Pipe ramp for front central right semi rapid burner cooker 120 double oven	1	5203	ZS8193	Plate central Wok burner	2
376	ZS0813	Micro catenary for 4 burners	2	5204	ZS8194	Gasket for wok burner	2
796	410610	Pipe holder (G20)IT	1	5364	ZS8626	Auxiliary burner flame spreader HE2 BRASS	1
797	410645	Pipe holder (G30)	1	5365	ZS8628	Semi-rapid burner flame spreader HE2 BRASS	2
1177	ZS2217	Gasket for auxiliary burner	1	5366	ZS8630	Rapid burner flame spreader HE2 BRASS	1
1178	ZS2218	Gasket for semi-rapid burner	2	5368	ZS8633	Plate Wok burner external	2
1179	ZS2219	Gasket for rapid burner	1	5370	ZS8635	Screw M4 wok burner	2
1567	ZS2923	Valved tap for auxiliary burner (bypass 0,27)	1	5371	ZS8637	Wok burner body G20/20 1,32	2
1568	ZS2924	Valved tap for rapid/fish-kettle burner	1	5372	ZS8638	Wok burner flame spreader BRASS	2
1569	ZS2925	Valved tap for semi-rapid burner	2	5401	ZS8684	Rapid spreader cap HE2	1
1570	ZS2926	Valved tap for triple-ring burner	2	5402	ZS8685	Semi-rapid spreader cap HE2	2
1592	ZS2935	Rear ramp fixing support cooker 90/120	1	5403	ZS8686	Auxiliary spreader cap HE2	1
1632	ZS3021	Adapter female-male 1/2 BSP 04	1	5454	ZS8831	Mega Wok burner nozzle G30/30 0.94	2
1637	ZS3058	Pipe ramp for front left triple ring burner cooker 90 05	1	5823	ZS8645	Pins for Wok	2
1638	ZS3059	Pipe ramp for rear left semi-rapid burner cooker 90 05	1				
1771	ZS3226	Ramp 8 burners cooker 120 double oven 06/Ascot	1				



N° Object	Code	Description	Qty
48	421323	Gas taps fixing bridle M60	2
1567	ZS2923	Valved tap for auxiliary burner (bypass 0,27)	1
2335	ZS4181	Thermocouple SBF L=600 t.c.4.5	1
2543	601229	Spring fixing spark plug for triple ring P-4	1
2544	ZS4186	Fixing nut for thermocouple burner 4.5	2
2575	505241	Screw M4	2
3330	ZS5412	Ascot chromed knob	2
3742	ZS4837	Pipe ramp for t.c. 4.5 external burner cooker	1
3791	ZS6109	Valved tap for triple-ring burner	1
5199	ZS8189	Mega Wok burner body G20/20 0,68 1.40	1
5200	ZS8190	Mega Wok burner flame spreader BRASS	1
5201	ZS8191	Wok burner spark plug sbf DCC M+G INT	1
5202	ZS8192	Plate Mega Wok burner external	1
5203	ZS8193	Plate central Wok burner	1
5204	ZS8194	Gasket for wok burner	1
5206	ZS8197	Mega Wok burner spark plug sbf DCC G EXT	1
5207	ZS8198	Thermocouple SBF L=750 DCC	1
5208	ZS8199	Support for thermocouple DCC	1
5209	ZS8200	Screw M3.5x6	1
5369	ZS8634	Spring fixing spark plug for Wok	1
5370	ZS8635	Screw M4 wok burner	4
5454	ZS8831	Mega Wok burner nozzle G30/30 0.94	1
5460	ZS8837	Mega Wok burner nozzle G30/30 0.44	1
5522	ZS8980	Gasket for Mega wok thermocouple support	1
5915	ZA0256	Pipe ramp for t.c. 4.5 central burner cooker DCC 90/120	1

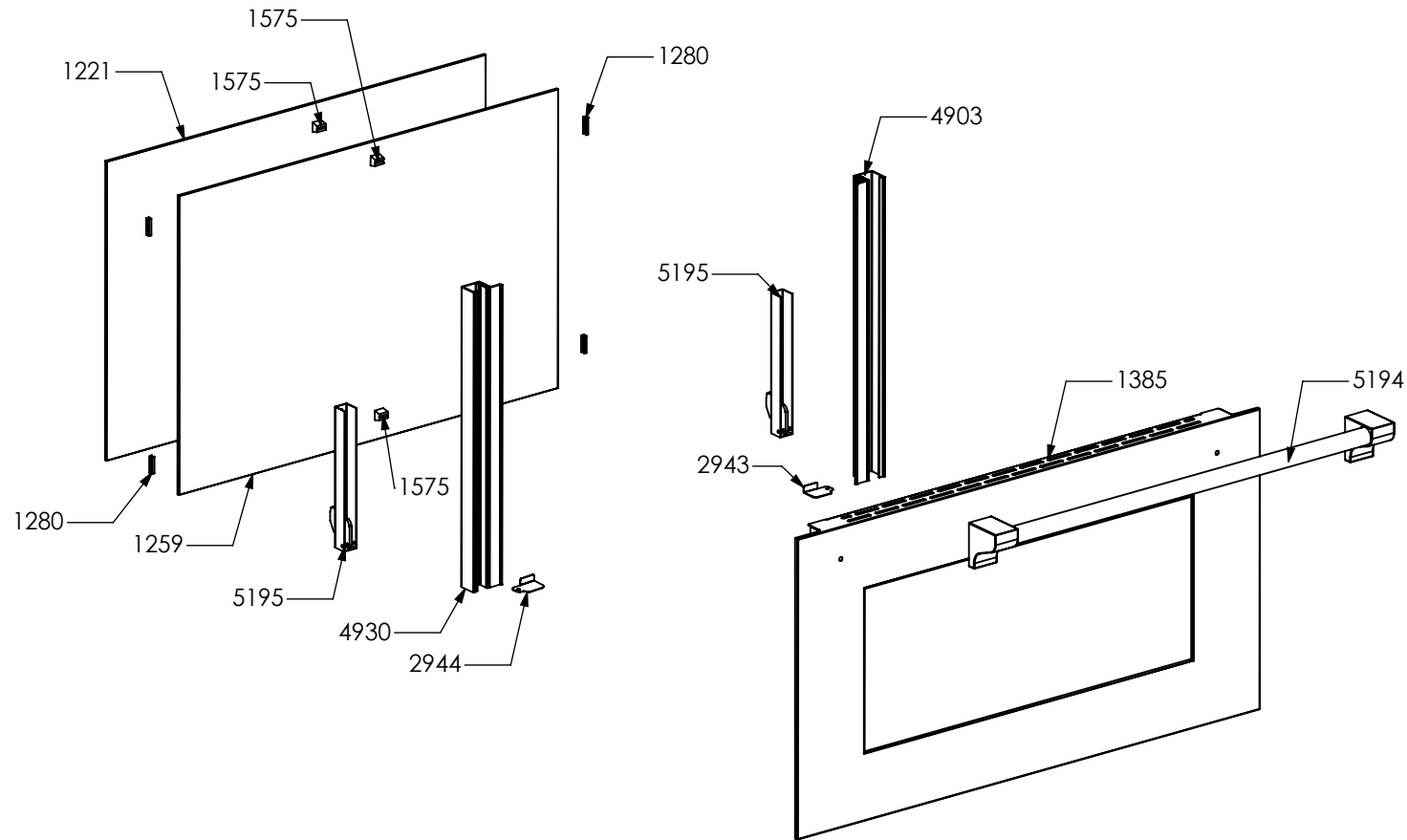


N° Object	Code	Description	Qty
94	481814	Commutator multif. for 90 built-in oven(no pizza)	1
107	482120	Thermostat cooker 192	1
455	ZS1075	Oven thermostat	1
538	ZS1204	Led transparent	3
539	ZS1205	Fluorescent green warning light	1
823	ZS1755	Fluorescent orange warning light	2
2016	ZS3227	Commutator support	1
2067	ZS3785	Knob for timer gray	5
3217	ZS4568	Small and grilling oven switch	1
3330	ZS5412	Ascot chromed knob	3
3922	ZS6184	Timer (white led) LCD-ELA 1000	1
4137	ZS6655	Steam oven functions switch	1
4636	ZS7248	Bezel for function oven	1

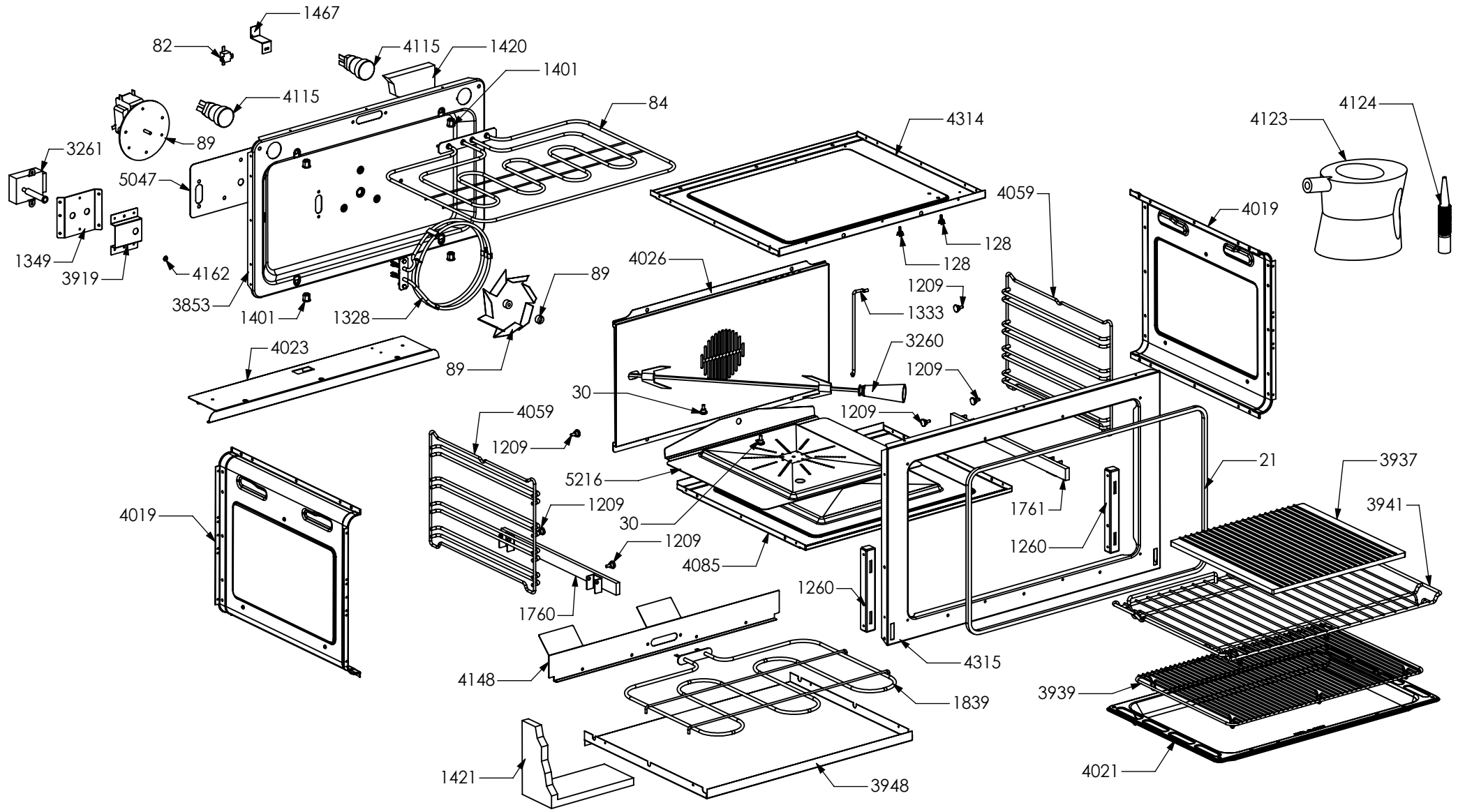


N° Object	Code	Description	Qty	N° Object	Code	Description	Qty
20	401520	Black cap for glass front panel	2	4505	ZS7051	Bracket condensate collection for 120 DC Steam	1
98	481913	Terminal board for oven 32 PA 233	1	4615	ZS6967	Air conveyor for cooktop 030/120 double oven	1
123	541011	Spacer washer for built-in oven	2	4616	ZS6968	Muffle fan guard cooker 120/120 double oven	1
392	ZS0903	Sintesi black foot H.15	4	4617	ZS6969	Drawer upper guard for cooker 120 double oven	1
1316	ZS2474	Front central muffle support cooker 100/120 double oven	1	4618	ZS6970	Reinforcement for ceiling drawer cooker 120 double oven 04	1
1317	ZS2475	Front support for muffle R/L side 100/120 double/triple oven cooker	2				
1318	ZS2477	Rear support for muffle left/right side cooker 100 double/triple oven	1				
1414	ZS2601	Terminal board support	1				
1439	ZS2663	Cooling fan L=180 Plaset (AU)	2				
1549	ZS2905	Lower guard for cooker 120 double oven 04	1				
1550	ZS2906	Reinforcement for lower guard cooker 120 double oven 04	2				
1552	ZS2908	Reinforcement for ceiling drawer cooker 120 double oven 04	1				
1555	ZS2911	Rear support for muffle left side oven 90/120 double oven	1				
1556	ZS2912	Rear central support for muffle cooker 120 double oven	1				
1595	ZS2938	Ramp hole closing plate	1				
1948	ZS3225	Complete lower right/left side Ascot S.STEEL	2				
2007	ZS3199	Rear guard for cooker 120 double oven Ascot	1				
2008	GR3201	Assembly support lower left side Ascot	1				
130	601156	Tapping screw M10 galvanized	2				
2026	ZS3318	Reinforcement drawer side structure plinth Ascot	1				
2011	ZS3204	Plinth for cooker 120 Ascot	1				
2014	ZS3207	Plinth rear for cooker 120 Ascot	1				
2024	ZS3305	Fixing plate for top Ascot	2				
2025	GR3317	Assembly support lower right side Ascot	1				
130	601156	Tapping screw M10 galvanized	2				
2026	ZS3318	Reinforcement drawer side structure plinth Ascot	1				
4167	ZS6684	Reinforcement for lower guard oven	2				
4338	ZS6907	Air conveyor for cooktop 090/120 SF	1				

2740

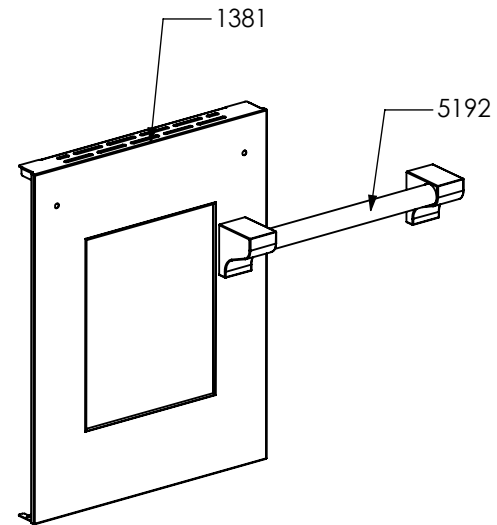
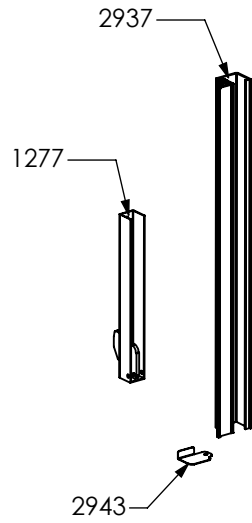
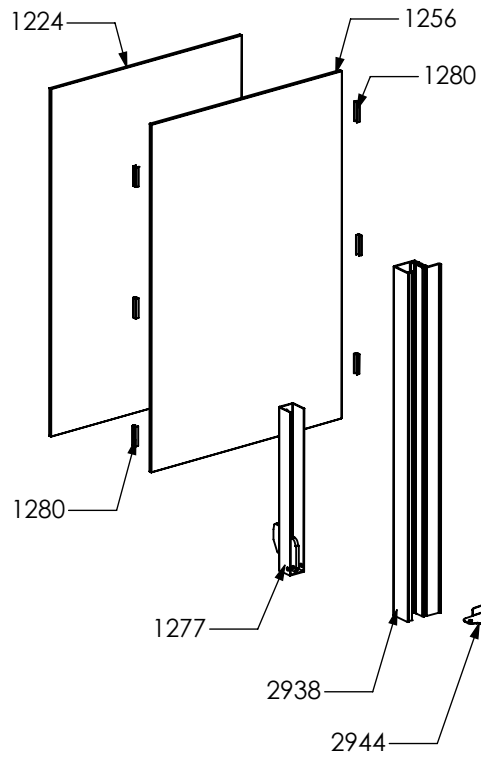


N° Object	Code	Description	Qty
2740	GR4354	Assembly glued oven door 90/120 double oven Ascot	1
4903	GR7666	Assembly door 30/60/90 right bar profile 15	1
4930	GR8097	Assembly door 30/60/90 left bar profile 15	1
1221	ZS2307	Inner glass oven door 90	1
1259	ZS2394	In-between glass oven door 90 04	1
1280	ZS2419	Spring for door glass assembling 04	4
1385	ZS2554	Glued external oven door 90/120 double oven	1
1575	ZS2931	Spacer between glasses	4
2943	ZS4746	Right support for inner glass	1
2944	ZS4747	Left support for inner glass	1
5194	ZS8178	Handle for oven door 90 Ascot 90/120 chromed terminal nickel	1
5195	ZS8180	Door hinge for oven 90	2

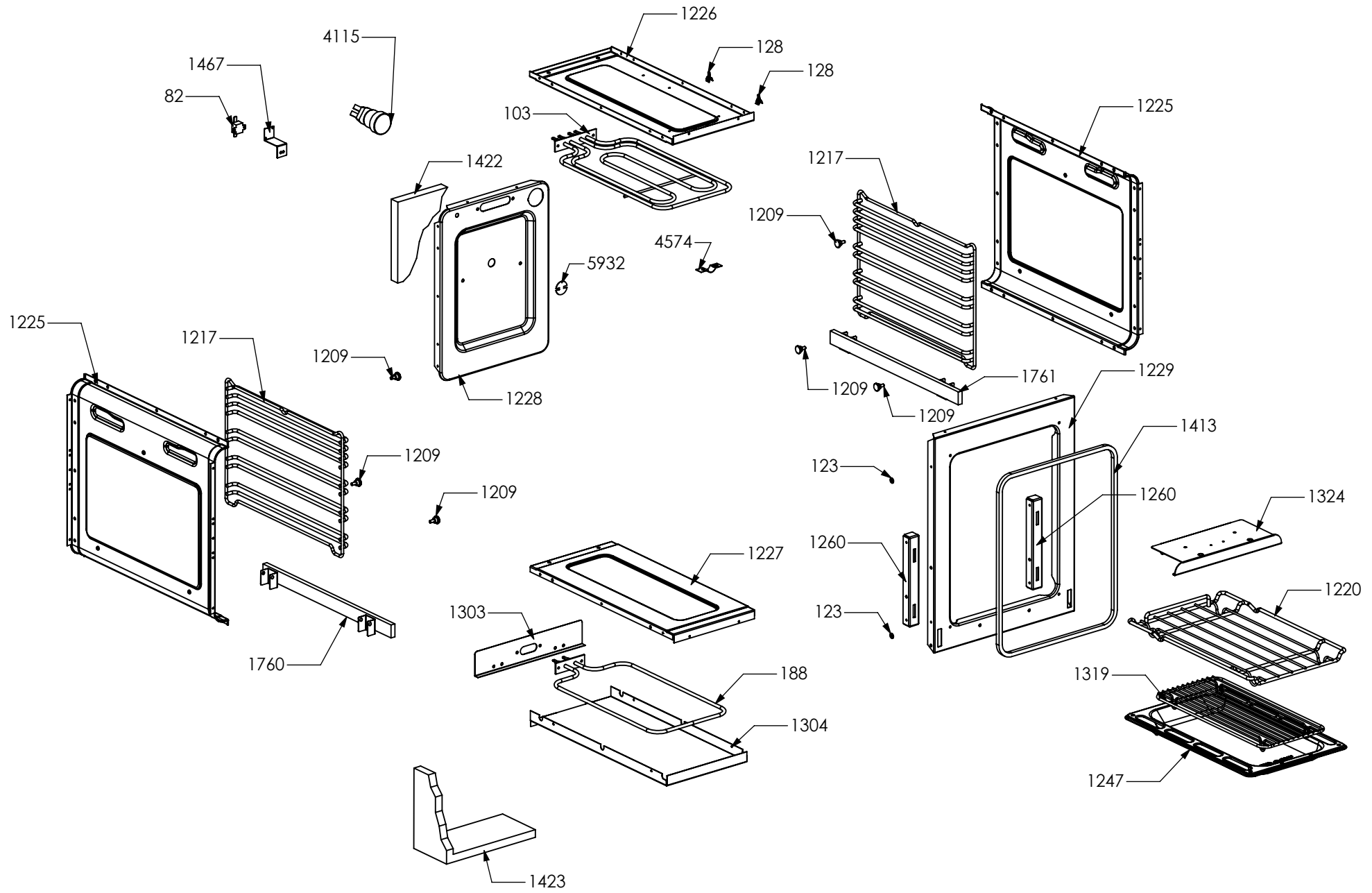


N° Object	Code	Description	Qty	N° Object	Code	Description	Qty
21	401638	Gasket oven 90	1	4023	ZS6245	Grill heating element support for muffle oven 90 S.Steel	1
30	411213	Lateral frame support for built-in oven	2	4026	ZS6248	Fan cover for oven 90 with turnspit hole S.STEEL	1
82	481403	Thermoswitch 16 Ampere	1	4059	ZS6034	Oven lateral frame 30/60/90 S.Steel	2
84	481589	Grill heating element for oven 90	1	4085	ZS6543	Complete muffle bottom for oven 90 S.Steel Steam	1
89	481727	Circular tangential oven 90 fan (AU) with fan and nut	1	4115	ZS6631	Complete Lamp-holder for oven (max 25 W)	2
128	601152	Spring fixing feeler for built-in oven	2	4123	ZS6653	Carafe graduate 0.5	1
1209	414559	Lateral frame support for built-in oven	6	4124	ZS6654	Steam flexible pipe	1
1260	ZS2395	Hinge support 06	2	4148	ZS6380	Lower heating elem.support oven 90	1
1328	482325	Circular heating element 230V-2500W	1	4162	ZS6679	O-ring 3021 viton	1
1333	ZS2289	Support for grillrod 60/90	1	4314	ZS6548	Complete Stainless Steel muffle ceiling oven 90	1
1349	ZS2499	Fixing support for turnspit motor oven 60/90	1	4315	ZS6549	S.Steel muffle front side oven 90 complete	1
1420	ZS2625	White glass wool for rear side 90 oven	1	5047	ZS7807	Fan cover for oven 90 with turnspit hole S.STEEL	1
1421	ZS2626	White glass wool for 90 oven 04	1	5216	ZS8229	Steam generator cover 90	1
1467	ZS2604	Support for safety thermostat 04	1				
1760	ZS3078	Telescopic liner left	1				
1761	ZS3079	Telescopic liner right	1				
1839	ZS3082	Lower heating element for oven 90 (1400 W)	1				
3260	ZS5175	Turnspit for oven 90 (4 forks + handle) - 04	1				
3261	ZS5236	Turnspit motor reducer 50/60 Hz	1				
3853	GR6226	Assembly rear muffle oven 90 S.steel TDL	1				
1401	ZS2585	Tapping screw M5 aluminium	4				
3919	ZS6002	Reinforce for fixing support for turnspit motor oven 60/90	1				
3937	ZS6339	Ceramic tiles for BBQ	1				
3939	ZS6341	S.steel Trivet for oven 90	1				
3941	ZS6343	S.steel wire grid for oven 90	2				
3948	ZS6379	Lower heating element tray oven 90	1				
4019	ZS6222	Side muffle oven 30/60/90 S.Steel TDL	2				
4021	ZS7595	Drip tray for oven 90 S.Steel TDL	1				

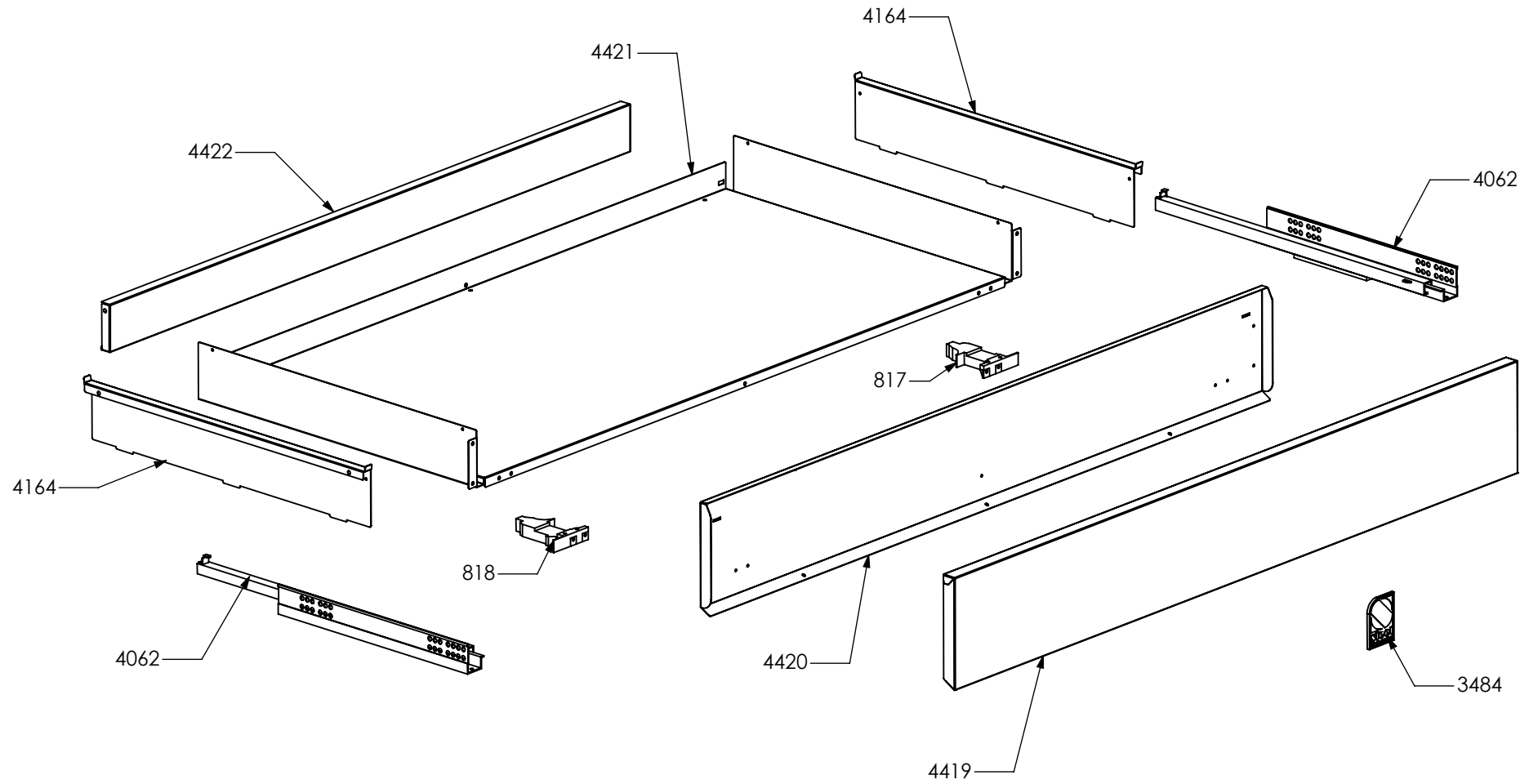
2716



N° Object	Code	Description	Qty
2716	GR4330	Assembly glued oven door 30 s.steel Ascot	1
2937	GR4313	Assembly door 30/60/90 right bar profile 07	1
2938	GR4314	Assembly door 30/60/90 left bar profile 07	1
1224	ZS2311	Inner glass oven door 30	1
1256	ZS2390	In-between glass oven door 30 04	1
1277	ZS2414	Door hinge for oven 60 G	2
1280	ZS2419	Spring for door glass assembling 04	6
1381	ZS2546	Glued external oven door 30 KL	1
2943	ZS4746	Right support for inner glass	1
2944	ZS4747	Left support for inner glass	1
5192	ZS8176	Handle for oven door 30 Ascot 100/120 chromed terminal nickel	1



N° Object	Code	Description	Qty	N° Object	Code	Description	Qty
82	481403	Thermoswitch 16 Ampere	1				
103	482072	Upper heating element cooker Ratio	1				
123	541011	Spacer washer for built-in oven	2				
128	601152	Spring fixing feeler for built-in oven	2				
188	ZS7653	Lower heating element for oven 30	1				
1209	414559	Lateral frame support for built-in oven	6				
1217	ZS2283	Oven lateral frame 30/60/90	2				
1220	ZS2287	Chromed wire grid for oven 30	1				
1225	ZS2312	Side muffle oven 30/60/90 enamelled 04	2				
1226	ZS2314	Enamelled muffle ceiling oven 30	1				
1227	ZS2316	Enamelled muffle bottom for oven 30	1				
1228	ZS2318	Muffle rear side oven 30 enamelled 04	1				
1229	ZS2320	Enamelled muffle front side oven 30	1				
1247	ZS2362	Enamelled drip tray for oven 30	1				
1260	ZS2395	Hinge support 06	2				
1303	ZS2454	Lower heating elem.support oven 30 04	1				
1304	ZS2455	Lower heating element tray oven 30 04	1				
1319	ZS2488	Trivet for oven 30 04	1				
1324	ZS2494	Grill heating element support for muffle oven 30 enamelled 04	1				
1413	ZS2599	Gasket oven 30 04	1				
1422	ZS2627	White glass wool for rear side 30 oven 04	1				
1423	ZS2628	White glass wool for 30 oven 04	1				
1467	ZS2604	Support for safety thermostat 04	1				
1760	ZS3078	Telescopic liner left	1				
1761	ZS3079	Telescopic liner right	1				
4115	ZS6631	Compete Lamp-holder for oven (max 25 W)	1				
4574	ZS6005	Fixing support for turnspit motor oven 60/90	1				
5932	ZP0119	Turnspit hole cap	1				



N° Object	Code	Description	Qty
817	ZS0458	Drawer right regulation clip	1
818	ZS0459	Drawer left regulation clip	1
3484	ZS5647	"Steel - Stile in cucina" plate	1
4062	ZS6372	Couple legobox rails partial opening push pull	1
4164	ZS6681	Drawer lateral side for cooker S.Steel	2
4419	ZS6823	Drawer door cooker 120 DC SF S.Steel	1
4420	ZS6824	Counterdoor drawer cooker 100 double oven	1
4421	ZS6825	Bottom drawer for cooker 120 DC S.Steel	1
4422	ZS6826	Drawer rear side for cooker 120 double oven S.Steel	1

N° Object	Code	Description	Qty
132	ZS5148	Adhesive tape 16,5 m x 19h (3M)	160
725	601108	Anti-overturning device	0,3
1586	ZS2770	Additional wiring generic L=60 cm Fem Fem	2
2205	ZS3753	Tapping screw M5 s.steel	2
2296	ZS2666	Wiring commutators L=20 cm	4
2307	ZS3763	Wiring leds Party	1
4871	ZS7678	Wiring diagram for cooker S12SF-8	1
5050	ZS7813	Instruction booklet Top/Cooker Multilanguage	1
5212	ZS8219	Aluminium adhesive badge "CombiSteam"	1
5357	ZS8592	Instruction booklet Combi steam Oven	1