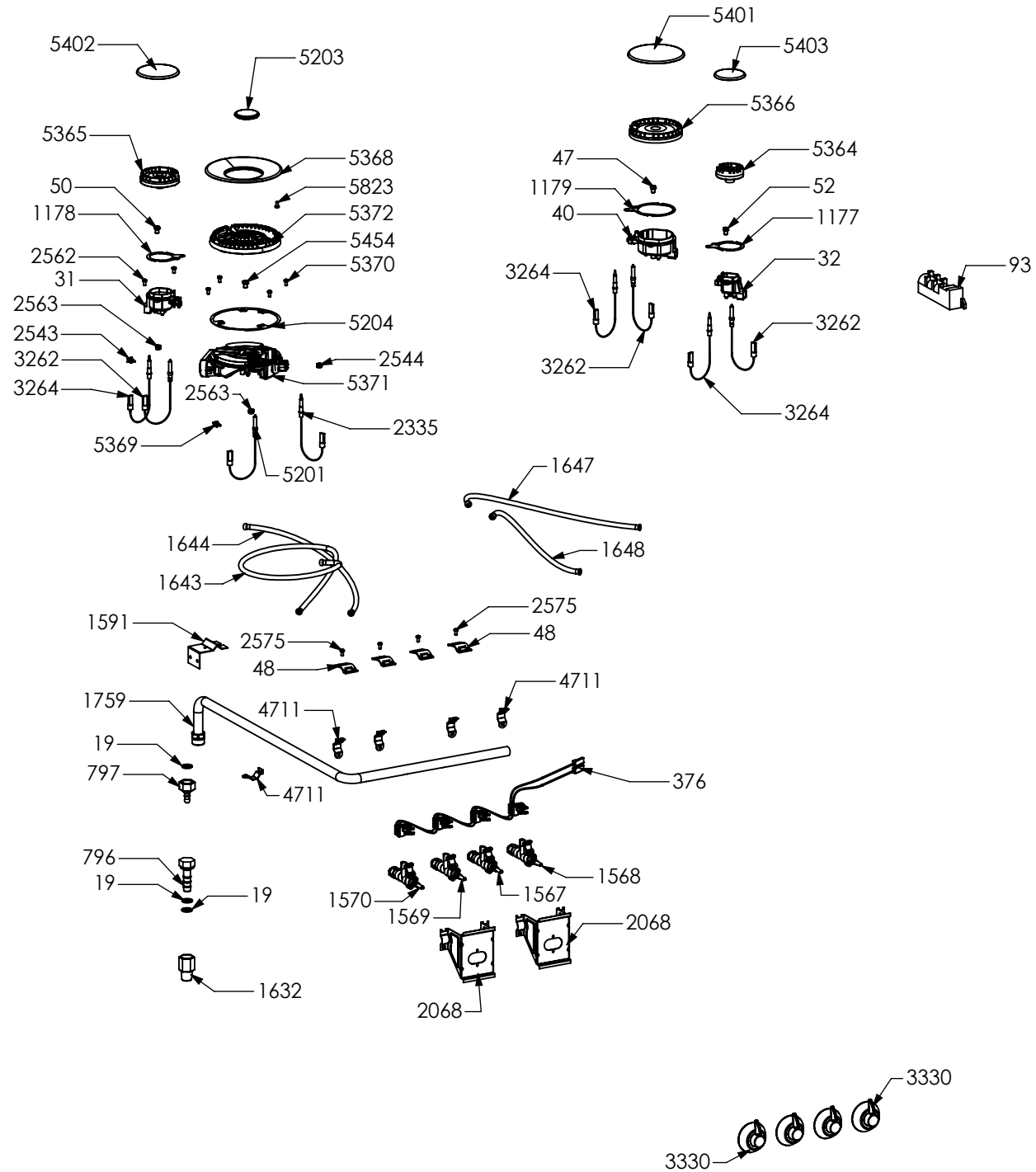
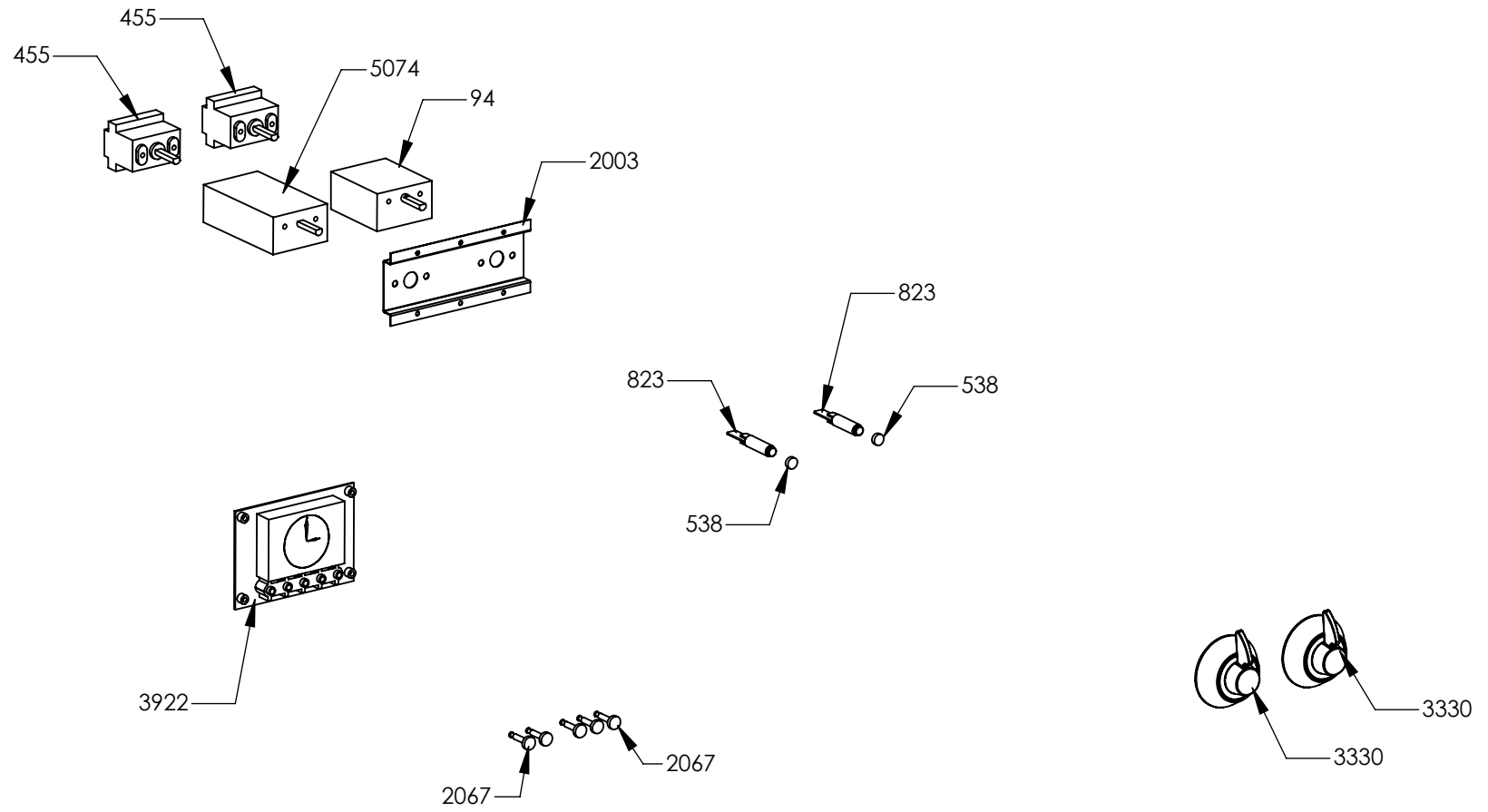


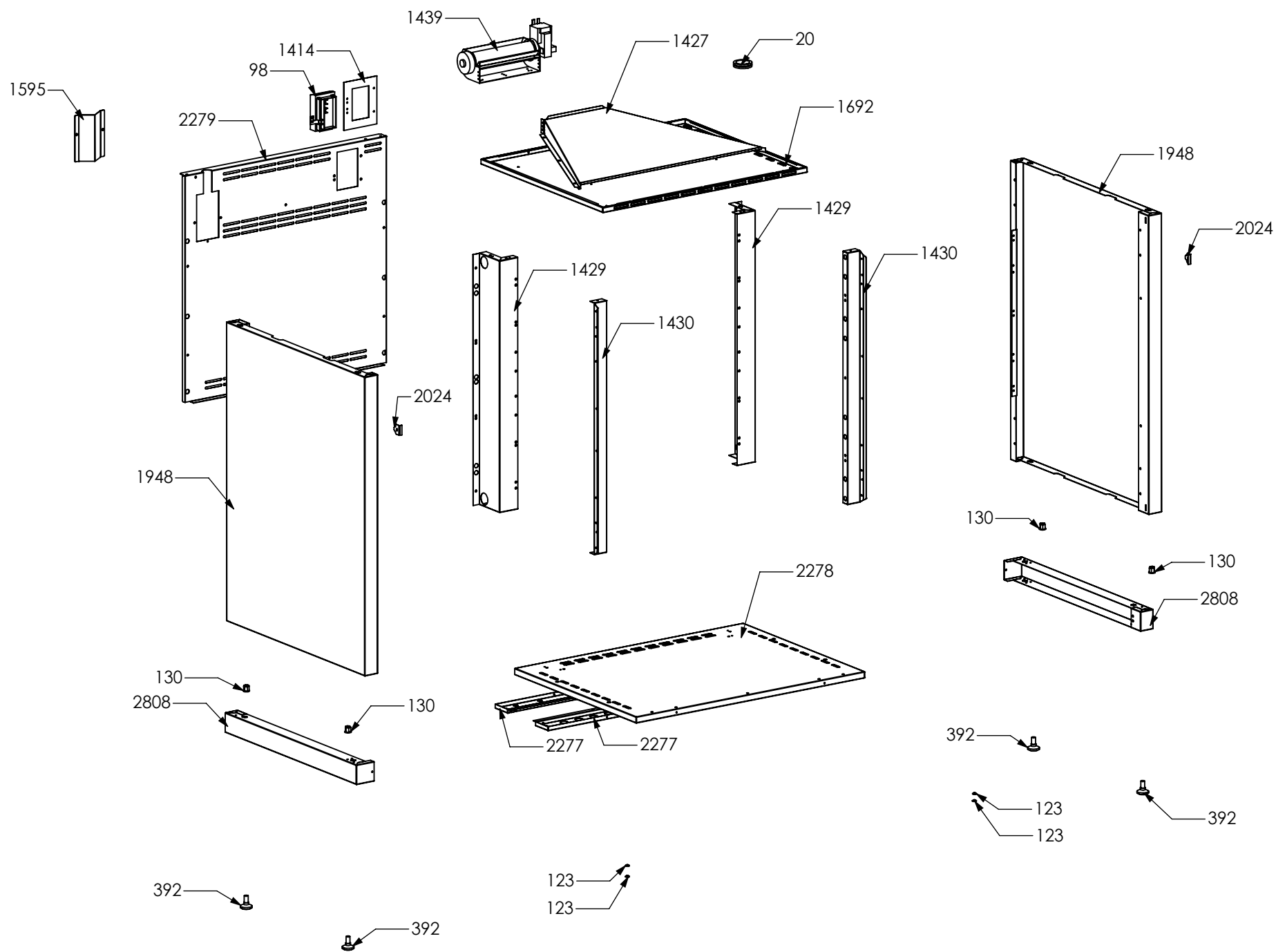
N° Object	Code	Description	Qty
731	ZS0565	Cast-iron grid for wok	1
1014	ZS2026	Thermostat TY60 N.O. fixing B	1
1441	ZS2665	Support for fan timelag device	1
1575	ZS2931	Spacer between glasses	2
1957	ZS3495	Washer 4.3 x 10 x 3	4
2018	ZS3230	Back splash for cooker 70 Ascot	1
2042	ZS3565	Profile control panel drawer 70 Ascot chromed	1
2051	ZS3642	Support for internal support control panel 70 Ascot	1
2086	ZS3849	Control panel front 4 burners Ascot 70 DC S.STEEL with serygr.	1
3033	ZS4392	Cast-iron grid 2 burners Ascot for cooker 70	2
5036	ZS7681	Complete upper right side Ascot	1
5037	ZS7682	Complete upper left side Ascot	1
5188	ZS8172	Handle for hob cooker Ascot 70 chromed terminal nickel	1
5422	ZS8718	Complete spill tray cooker 70 4 burners Ascot	1



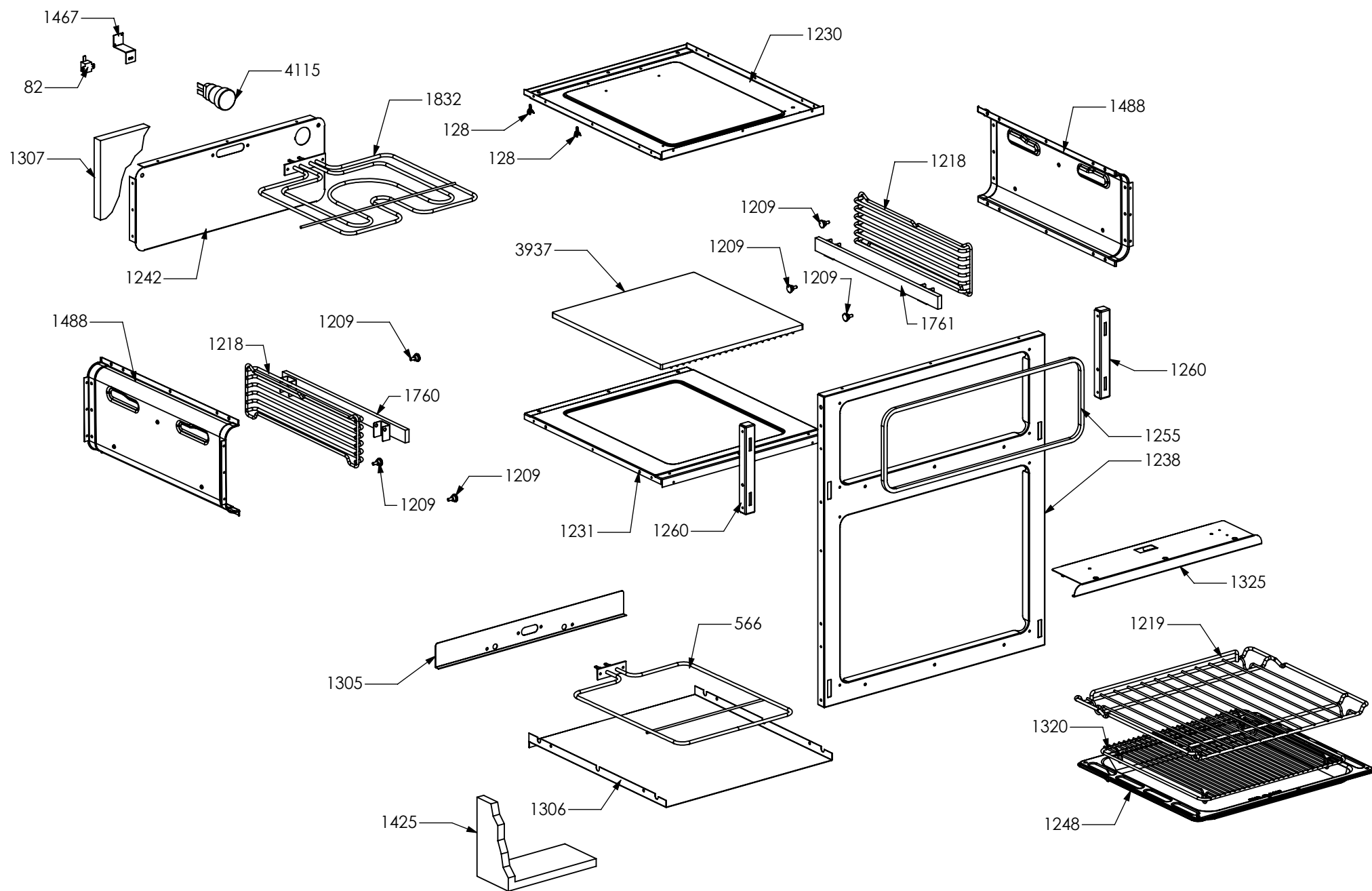
N° Object	Code	Description	Qty	N° Object	Code	Description	Qty
19	400689	Gasket gas inlet	3	2543	601229	Spring fixing spark plug for triple ring P-4	1
31	414121	Semi-rapid burner body G20 0,97	1	2544	ZS4186	Fixing nut for thermocouple burner 4.5	1
32	414123	Auxiliary burner body G20 0,72	1	2562	506037	Screw M3x8 TC s.steel	6
40	414212	Rapid burner body G20 1,15	1	2563	ZS0907	Fixing nut for themocouple	3
47	421312	Rapid burner nozzle G30/31 29/37 mbar 0,85	1	2575	505241	Screw M4	4
48	421323	Gas taps fixing bridle M60	4	3262	ZS5270	Burner spark plug Cast	3
50	423948	Semi-rapid burner nozzle G30/31 0,65	1	3264	ZS5272	Thermocouple Cast L=770	3
52	423951	Auxiliary burner nozzle G30/30 0,50	1	3330	ZS5412	Ascot chromed knob	4
93	481787	Ignition system 4 flames	1	4711	ZS6772	Clamp support for main ramp	5
376	ZS0813	Micro catenary for 4 burners	1	5201	ZS8191	Wok burner spark plug sbf DCC M+G INT	1
796	410610	Pipe holder (G20)IT	1	5203	ZS8193	Plate central Wok burner	1
797	410645	Pipe holder (G30)	1	5204	ZS8194	Gasket for wok burner	1
1177	ZS2217	Gasket for auxiliary burner	1	5364	ZS8626	Auxiliary burner flame spreader HE2 BRASS	1
1178	ZS2218	Gasket for semi-rapid burner	1	5365	ZS8628	Semi-rapid burner flame spreader HE2 BRASS	1
1179	ZS2219	Gasket for rapid burner	1	5366	ZS8630	Rapid burner flame spreader HE2 BRASS	1
1567	ZS2923	Valved tap for auxiliary burner (bypass 0,27)	1	5368	ZS8633	Plate Wok burner external	1
1568	ZS2924	Valved tap for rapid/fish-kettle burner	1	5369	ZS8634	Spring fixing spark plug for Wok	1
1569	ZS2925	Valved tap for semi-rapid burner	1	5370	ZS8635	Screw M4 wok burner	4
1570	ZS2926	Valved tap for triple-ring burner	1	5371	ZS8637	Wok burner body G20/20 1,32	1
1591	ZS2934	Rear ramp fixing support cooker 70/100 TC/DC	1	5372	ZS8638	Wok burner flame spreader BRASS	1
1632	ZS3021	Adapter female-male 1/2 BSP 04	1	5401	ZS8684	Plate rapid burner HE2	1
1643	ZS3064	Pipe ramp for front left triple ring burner cooker 100 05	1	5402	ZS8685	Plate semi-rapid burner HE2	1
1644	ZS3065	Pipe ramp for rear left semi-rapid burner cooker 100 05	1	5403	ZS8686	Plate auxiliary burner HE2	1
1647	ZS3068	Pipe ramp for rear central triple ring burner for cooker 100 05	1	5454	ZS8831	Mega Wok burner nozzle G30/30 0.94	1
1648	ZS3069	Pipe ramp for front central semi-rapid burner for cooker 100 05	1	5823	ZS8645	Pins for Wok	1
1759	ZS3052	Ramp 4 burners cooker 070 05	1				
2068	ZS3791	Ramp fixing support Ascot /XXL	2				
2335	ZS4181	Thermocouple SBF L=750 TC	1				



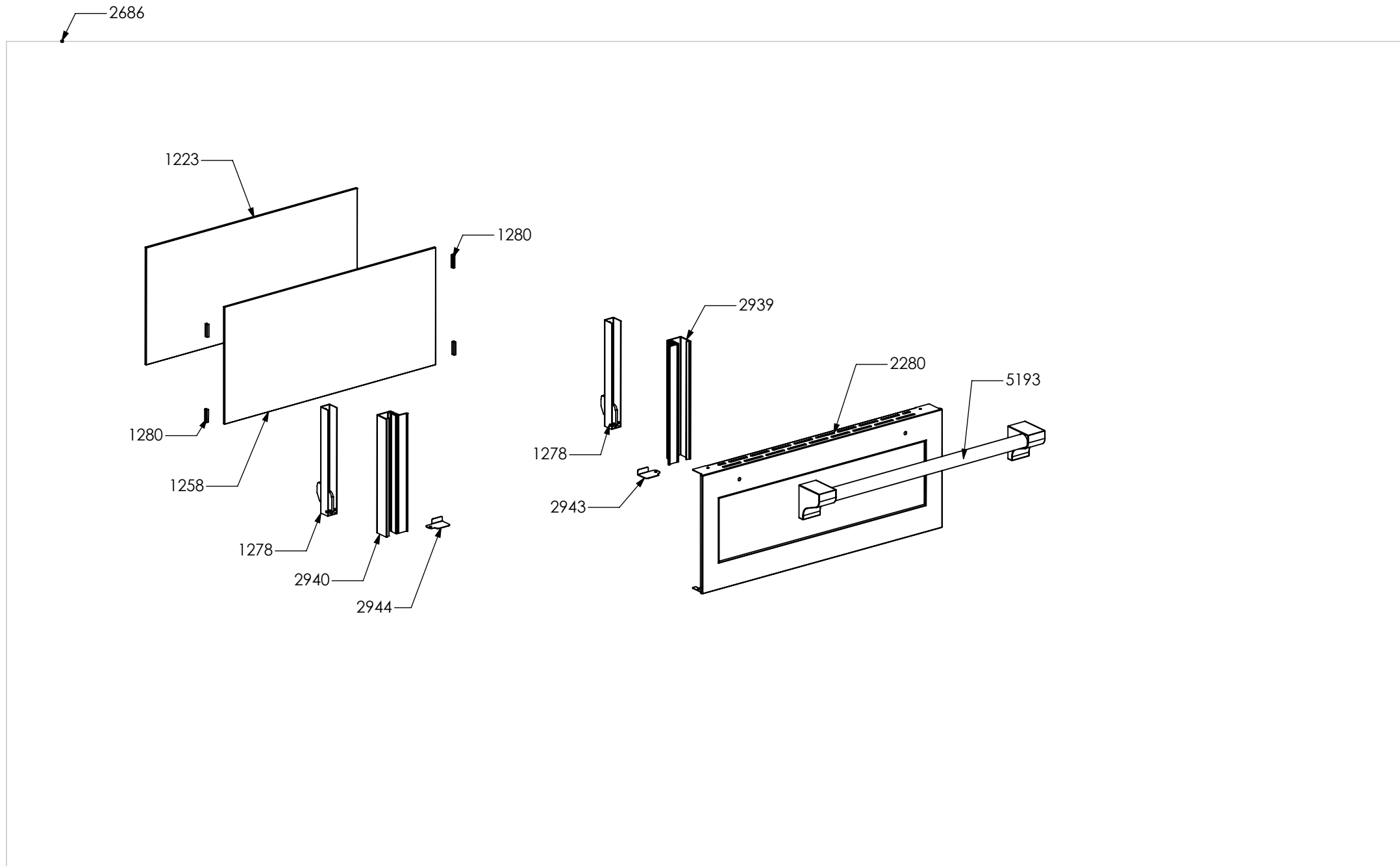
N° Object	Code	Description	Qty
94	481814	Commutator multif. for 90 built-in oven(no pizza)	1
455	ZS1075	Oven thermostat	2
538	ZS1204	Led transparent	2
823	ZS1755	Fluorescent orange warning light	2
2003	ZS3195	Commutator support 2 positions	1
2067	ZS3785	Knob for timer gray	5
3330	ZS5412	Ascot chromed knob	2
3922	ZS6184	Timer (white led) LCD-ELA 1000	1
5074	ZS7893	Commutator oven functions 060 R	1



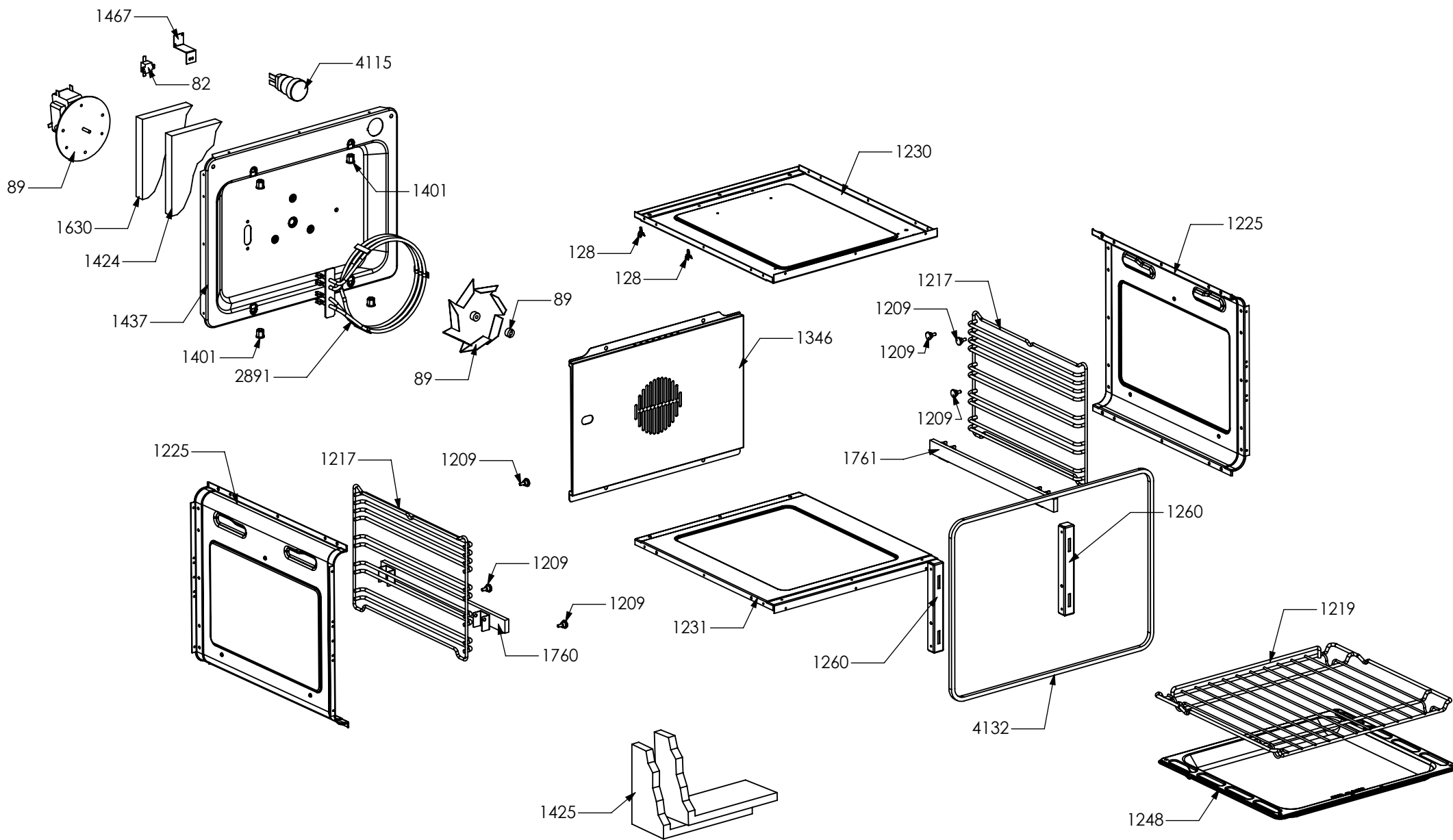
N° Object	Code	Description	Qty
20	401520	Black cap for glass front panel	1
98	481913	Terminal board for oven 32 PA 233	1
123	541011	Spacer washer for built-in oven	4
392	ZS0903	Sintesi black foot H.15	4
1414	ZS2601	Terminal board support	1
1427	ZS2634	Air conveyor for cooktop 070/070 double oven	1
1429	ZS2636	Rear support for muffle left/right side 070 double oven	2
1430	ZS2637	Front support for muffle left/right side 070 double oven	2
1439	ZS2663	Cooling fan L=180 Plaset (AU)	1
1595	ZS2938	Ramp hole closing plate	1
1692	ZS3053	Muffle fan guard cooker 070/070 double oven	1
1948	ZS3225	Complete lower right/left side Ascot S.STEEL	2
2024	ZS3305	Fixing plate for top Ascot	2
2278	GR4099	Assembly complete lower guard for cooker 070 double oven Ascot	1
130	601156	Tapping screw M10 galvanized	4
2277	ZS4098	Reinforcement for lower guard Ascot cooker 070 double oven	2
2808	ZS4115	Lower reinforcement for right/left side cooker 70 double oven Ascot	2
2279	ZS4114	Rear guard for cooker 70 DC Ascot	1



N° Object	Code	Description	Qty
82	481403	Thermoswitch 16 Ampere	1
128	601152	Spring fixing feeler for built-in oven	2
566	ZS7590	Lower heating element for oven 60 (1200W/230V)	1
1209	414559	Lateral frame support for built-in oven	6
1218	ZS2284	Oven lateral frame 60 R/L	2
1219	ZS2286	Chromed wire grid for oven 60	1
1230	ZS2322	Enamelled muffle ceiling oven 60	1
1231	ZS2324	Enamelled muffle bottom for oven 60	1
1238	ZS2338	Enamelled muffle front side oven 60 DC	1
1242	ZS2344	Muffle rear side oven 60 P enamelled 04	1
1248	ZS2364	Enamelled drip tray for oven 60	1
1255	ZS2389	Gasket grilling oven 60 P	1
1260	ZS2395	Hinge support 06	2
1305	ZS2456	Lower heating elem.support oven 60 double oven 04	1
1306	ZS2459	Lower heating element tray oven 60 04	1
1307	ZS2460	White glass wool for rear side grilling 60 oven	1
1320	ZS2489	Trivet for oven 60 04	1
1325	ZS2496	Grill heating element support for muffle oven 60 enamelled 04	1
1425	ZS2632	White glass wool for 60 oven 04	1
1467	ZS2604	Support for safety thermostat 04	1
1488	ZS2821	Side muffle oven 60 P black self-cleaning enamelled 04	2
1760	ZS3078	Telescopic liner left	1
1761	ZS3079	Telescopic liner right	1
1832	482094	Grill heating element for oven 60 (1900+850W)	1
3937	ZS6339	Ceramic tiles for oven	1
4115	ZS6631	Complete Lamp-holder for oven (max 25 W)	1

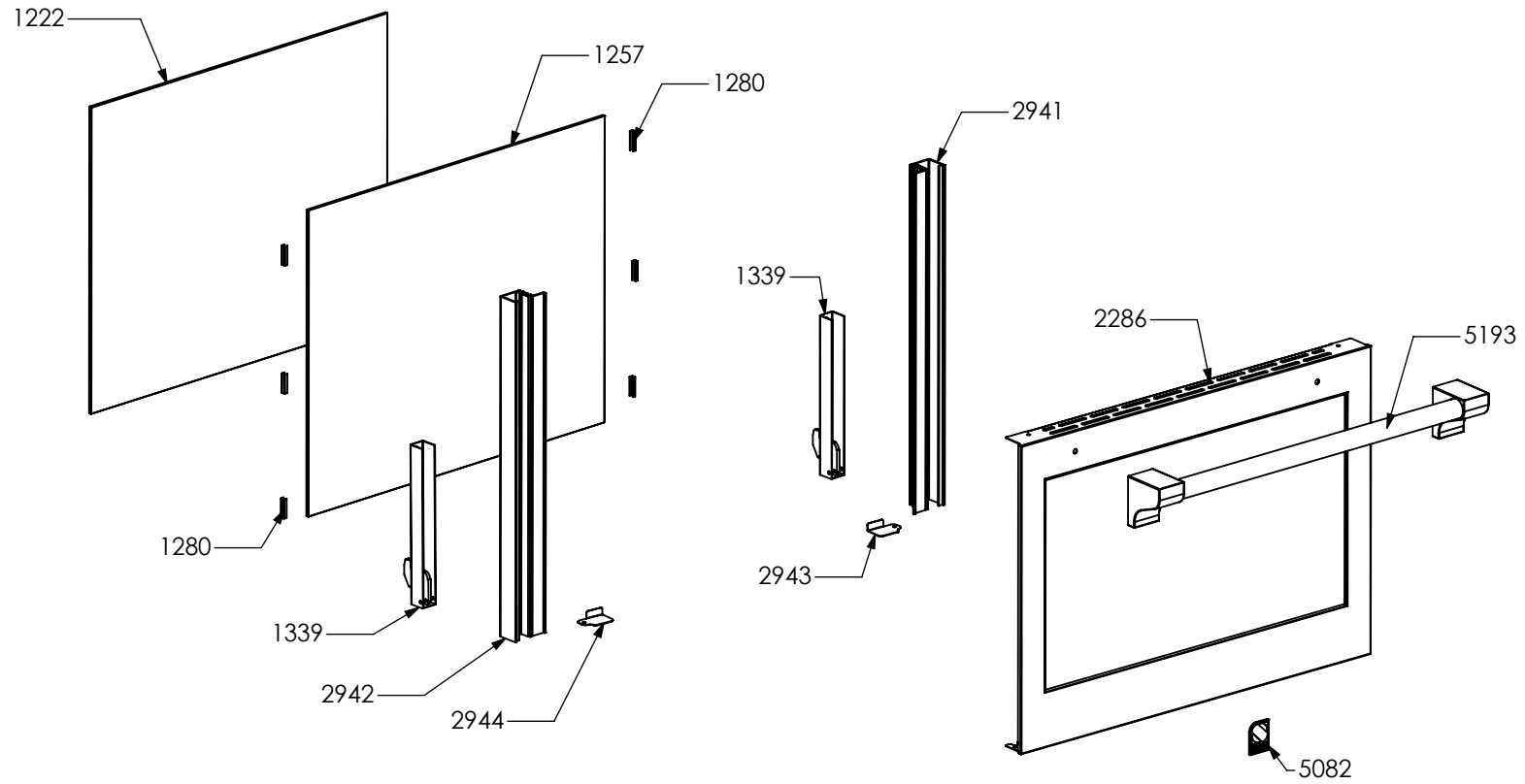


N° Object	Code	Description	Qty
2686	GR4116	Assembly glued oven door 60 P/070 double oven Ascot	1
2939	GR4315	Assembly door grilling oven 60 right bar profile 07	1
2940	GR4316	Assembly door grilling oven 60 left bar profile 07	1
1223	ZS2310	Inner glass oven door 60 P	1
1258	ZS2392	In-between glass oven door 60 P 04	1
1278	ZS2415	Door hinge for grilling oven 60	2
1280	ZS2419	Spring for door glass assembling 04	4
2280	ZS4116	Glued external grilling oven door 60/070 double oven Ascot	1
2943	ZS4746	Right support for inner glass	1
2944	ZS4747	Left support for inner glass	1
5193	ZS8177	Handle for oven door 60 Ascot 70/100 chromed terminal nickel	1



N° Object	Code	Description	Qty
82	481403	Thermoswitch 16 Ampere	1
89	481727	Circular tangential oven 90 fan (AU) with fan and nut	1
128	601152	Spring fixing feeler for built-in oven	2
1209	414559	Lateral frame support for built-in oven	6
1217	ZS2283	Oven lateral frame 30/60/90	2
1219	ZS2286	Chromed wire grid for oven 60	1
1225	ZS2312	Side muffle oven 30/60/90 enamelled 04	2
1230	ZS2322	Enamelled muffle ceiling oven 60	1
1231	ZS2324	Enamelled muffle bottom for oven 60	1
1248	ZS2364	Enamelled drip tray for oven 60	1
1260	ZS2395	Hinge support 06	2
1346	ZS2484	Fan cover for oven 60 with turnspit hole BLACK	1
1424	ZS2629	White glass wool for rear side 60 oven 04	1
1425	ZS2632	White glass wool for 60 oven 04	2
1437	GR2660	Assembly rear muffle oven 60/100 TC enamelled 04	1
1401	ZS2585	Tapping screw M5 aluminium	4
1467	ZS2604	Support for safety thermostat 04	1
1630	ZS3048	White glass wool for rear side 60 oven	1
1760	ZS3078	Telescopic liner left	1
1761	ZS3079	Telescopic liner right	1
2891	482589	Circular heating element 230V-2100W	1
4115	ZS6631	Complete Lamp-holder for oven (max 25 W)	1
4132	ZS6541	Gasket oven 60 H=8.9 mat HT	1

2692



N° Object	Code	Description	Qty
2692	GR4122	Assembly glued oven door 60 G/070 double oven Ascot	1
2941	GR4317	Assembly door 60 right bar profile 07	1
2942	GR4318	Assembly door 60 left bar profile 07	1
1222	ZS2309	Inner glass oven door 60 G	1
1257	ZS2391	In-between glass oven door 60 G 04	1
1339	ZS2416	Door hinge for multifunction oven 60	2
1280	ZS2419	Spring for door glass assembling 04	6
2286	ZS4122	Glued external oven door 60 G/070 double oven Ascot	1
2943	ZS4746	Right support for inner glass	1
2944	ZS4747	Left support for inner glass	1
5193	ZS8177	Handle for oven door 60 Ascot 70/100 chromed terminal nickel	1
5082	ZS7958	"Steel - Stile in cucina" plate	1

N° Object	Code	Description	Qty
132	ZS5148	Adhesive tape 16,5 m x 19h (3M)	80
725	601108	Anti-overturning device	0,3
1435	ZS2643	Wiring diagram for cooker S7FF-4	1
2296	ZS2666	Wiring commutators L=20 cm	2
2307	ZS3763	Wiring leds Party	1
2430	ZS2996	Wire protection d.3,5 vetrotex white	0,8
5050	ZS7813	Instruction booklet Top/Cooker Multilanguage	1