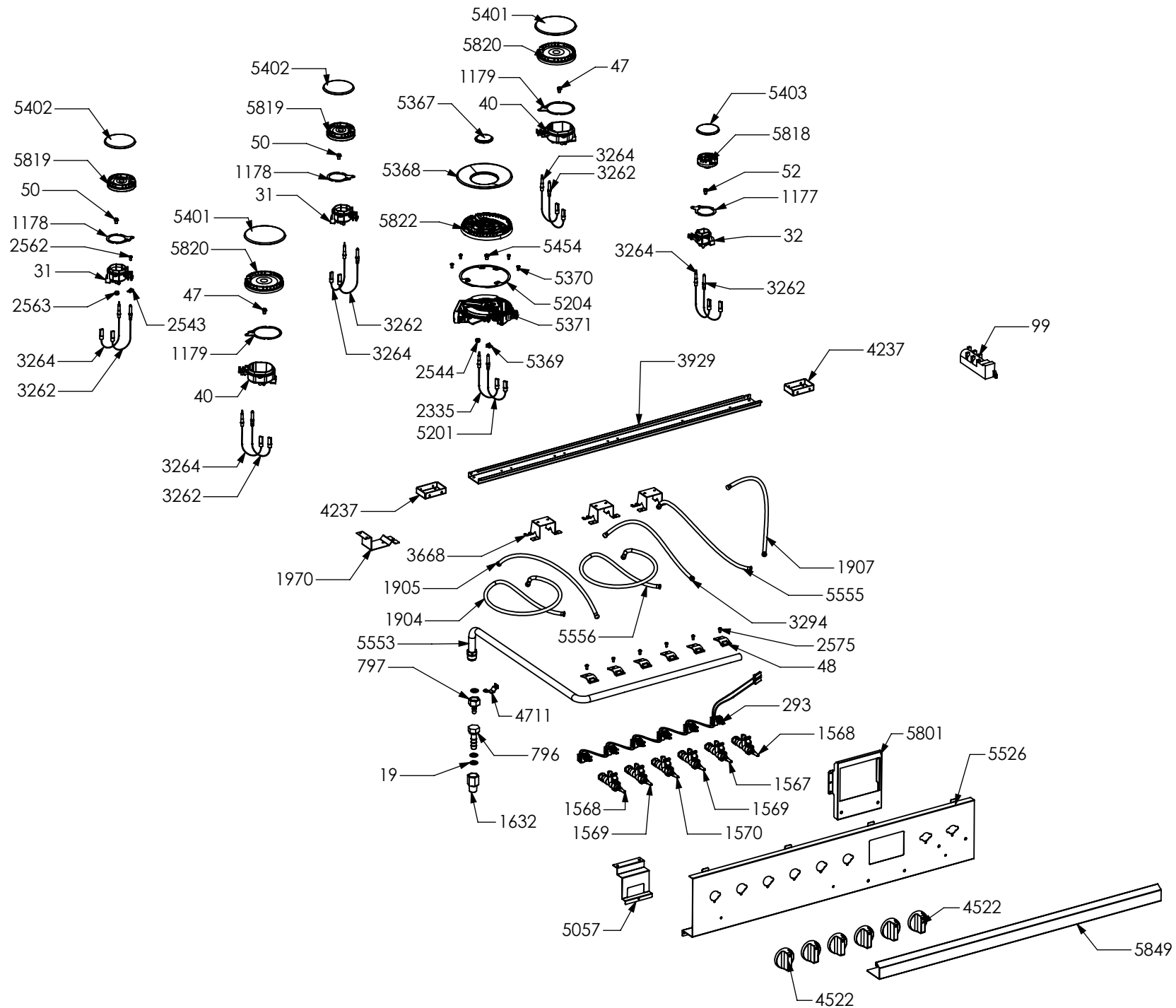
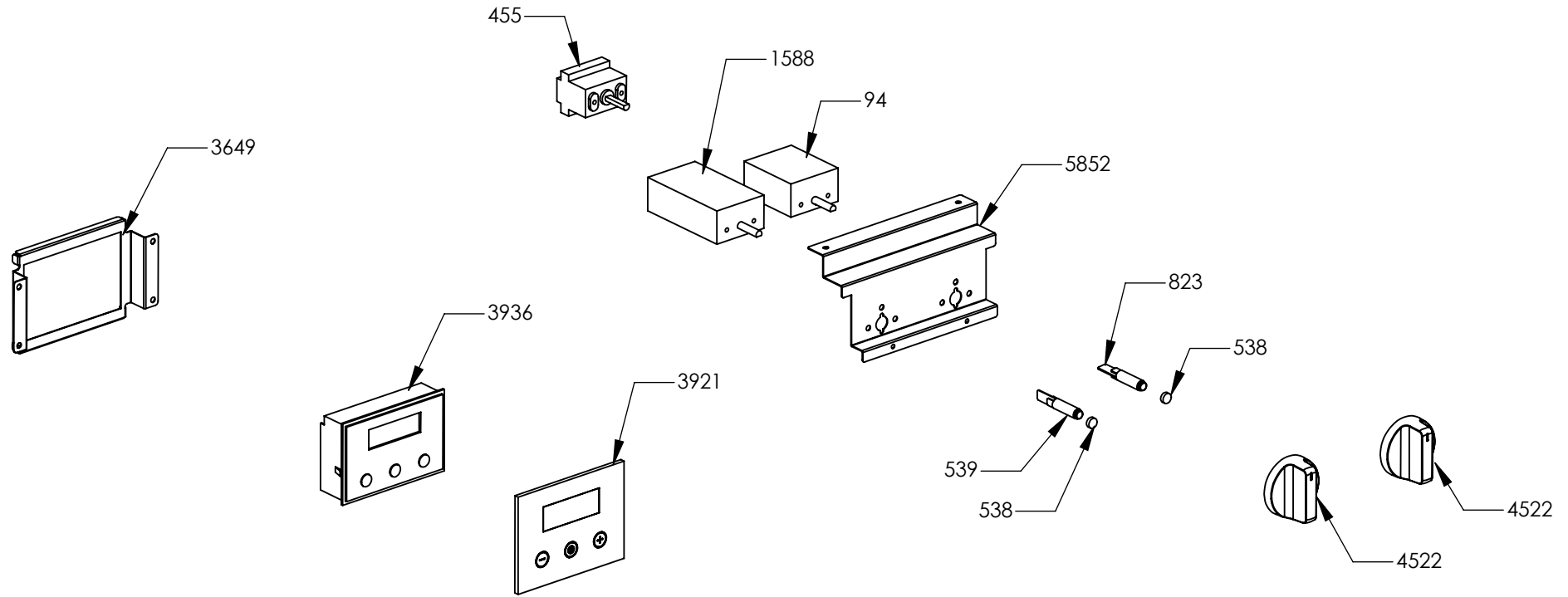


| N° Object | Code | Description | Qty |
|-----------|--------|---|-----|
| 731 | ZS0565 | Cast-iron grid for wok | 1 |
| 1014 | ZS2026 | Thermostat TY60 N.O. fixing B | 1 |
| 1901 | ZS2700 | Cast-iron grid 2 burners Prt / Drb | 3 |
| 1957 | ZS3495 | Washer 4.3 x 10 x 3 | 4 |
| 1996 | ZS3171 | Blocking plate hob-side Party | 2 |
| 5759 | ZP0074 | Complete spill tray cooker 90 6 burners DCC Prt/Drb | 1 |

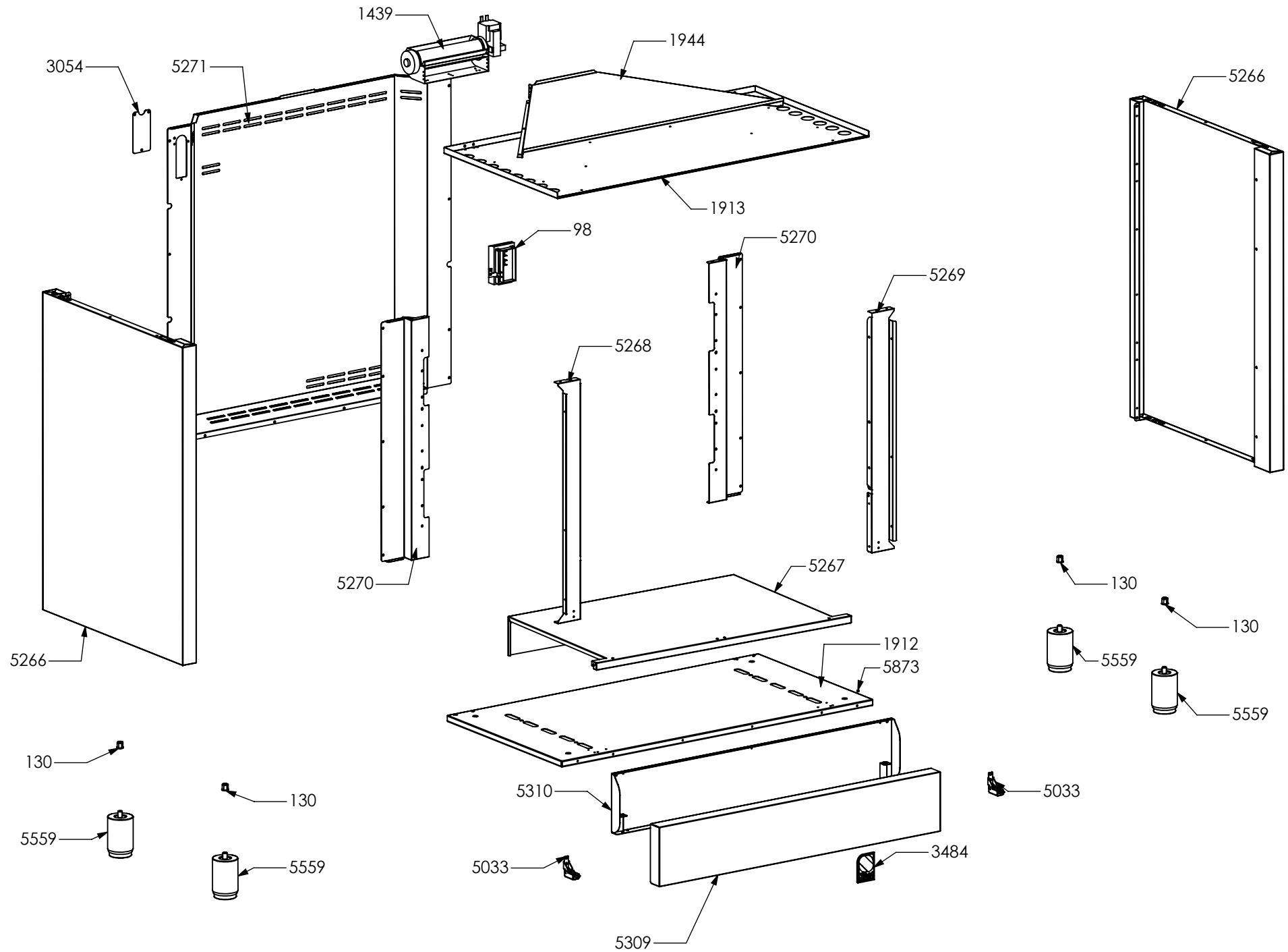


| N° Object | Code | Description | Qty | N° Object | Code | Description | Qty |
|-----------|--------|--|-----|-----------|--------|---|-----|
| 19 | 400689 | Gasket gas inlet | 3 | 2563 | ZS0907 | Fixing nut for themocouple | 5 |
| 31 | 414121 | Semi-rapid burner body G20 0,97 | 2 | 2575 | 505241 | Screw M4 | 6 |
| 32 | 414123 | Auxiliary burner body G20 0,72 | 1 | 3262 | ZS5270 | Burner spark plug Cast | 5 |
| 40 | 414212 | Rapid burner body G20 1,15 | 2 | 3264 | ZS5272 | Thermocouple Cast L=770 | 5 |
| 47 | 421312 | Rapid burner nozzle G30/31 29/37 mbar 0,85 | 2 | 3294 | ZS5354 | Pipe ramp for rear centre s-rap burner cooker 100 Prt/Drb | 1 |
| 48 | 421323 | Gas taps fixing bridle M60 | 6 | 3668 | ZS5778 | Ramp fixing support 90/100 Prt / Drb | 3 |
| 50 | 423948 | Semi-rapid burner nozzle G30/31 0,65 | 2 | 3929 | ZS6284 | Support bar taps ramp cooker 90 | 1 |
| 52 | 423951 | Auxiliary burner nozzle G30/30 0,50 | 1 | 4237 | ZS6695 | Clamp for support bar taps ramp | 2 |
| 99 | 481918 | Ignition system 6 flames | 1 | 4522 | ZS7089 | Knob gas burners ATG | 6 |
| 293 | ZS0578 | Micro catenary for 6 burners | 1 | 4711 | ZS6772 | Clamp support for main ramp | 7 |
| 796 | 410610 | Pipe holder (G20)IT | 1 | 5057 | ZS7833 | Clamp support for control panel cooker Party | 1 |
| 797 | 410645 | Pipe holder (G30) | 1 | 5201 | ZS8191 | Wok burner spark plug sbf DCC M+G INT | 1 |
| 1177 | ZS2217 | Gasket for auxiliary burner | 1 | 5204 | ZS8194 | Gasket for wok burner | 1 |
| 1178 | ZS2218 | Gasket for semi-rapid burner | 2 | 5367 | ZS8632 | Plate central Wok burner | 1 |
| 1179 | ZS2219 | Gasket for rapid burner | 2 | 5368 | ZS8633 | Plate Wok burner external | 1 |
| 1567 | ZS2923 | Valved tap for auxiliary burner (bypass 0,27) | 1 | 5369 | ZS8634 | Spring fixing spark plug for Wok | 1 |
| 1568 | ZS2924 | Valved tap for rapid/fish-kettle burner | 2 | 5370 | ZS8635 | Screw M4 wok burner | 4 |
| 1569 | ZS2925 | Valved tap for semi-rapid burner | 2 | 5371 | ZS8637 | Wok burner body G20/20 1,32 | 1 |
| 1570 | ZS2926 | Valved tap for triple-ring burner | 1 | 5401 | ZS8684 | Rapid spreader cap HE2 | 2 |
| 1632 | ZS3021 | Adapter female-male 1/2 BSP 04 | 1 | 5402 | ZS8685 | Semi-rapid spreader cap HE2 | 2 |
| 1904 | ZS2704 | Pipe ramp for front left rapid burner cooker 90 Party | 1 | 5403 | ZS8686 | Auxiliary spreader cap HE2 | 1 |
| 1905 | ZS2705 | Pipe ramp for rear left semi-rapid burner cooker 90 Part | 1 | 5454 | ZS8831 | Mega Wok burner nozzle G30/30 0.94 | 1 |
| 1907 | ZS2707 | Pipe ramp for rear right rapid burner cooker 90 Party | 1 | 5526 | GP0036 | Assembly control panel front 6 burners electric oven ENF 90 S.Steel serygr. | 1 |
| 1970 | ZS3656 | Rear ramp fixing support cooker 90 Party | 1 | 5801 | ZS8317 | Display support | 1 |
| 2335 | ZS4181 | Thermocouple SBF L=750 TC | 1 | 5553 | ZA0041 | Ramp 6 burners FE cooker 90 Prt/Drb | 1 |
| 2543 | 601229 | Spring fixing spark plug for triple ring P-4 | 1 | 5555 | ZA0050 | Pipe ramp for front right auxiliary burner cooker 90 Prt/Drb | 1 |
| 2544 | ZS4186 | Fixing nut for thermocouple burner 4.5 | 1 | 5556 | ZA0051 | Pipe ramp for front central triple ring burner cooker 90 Prt/Drb | 1 |
| 2562 | 506037 | Screw M3x8 TC s.steel | 10 | 5818 | ZS8625 | Auxiliary burner flame spreader HE2 ALU | 1 |

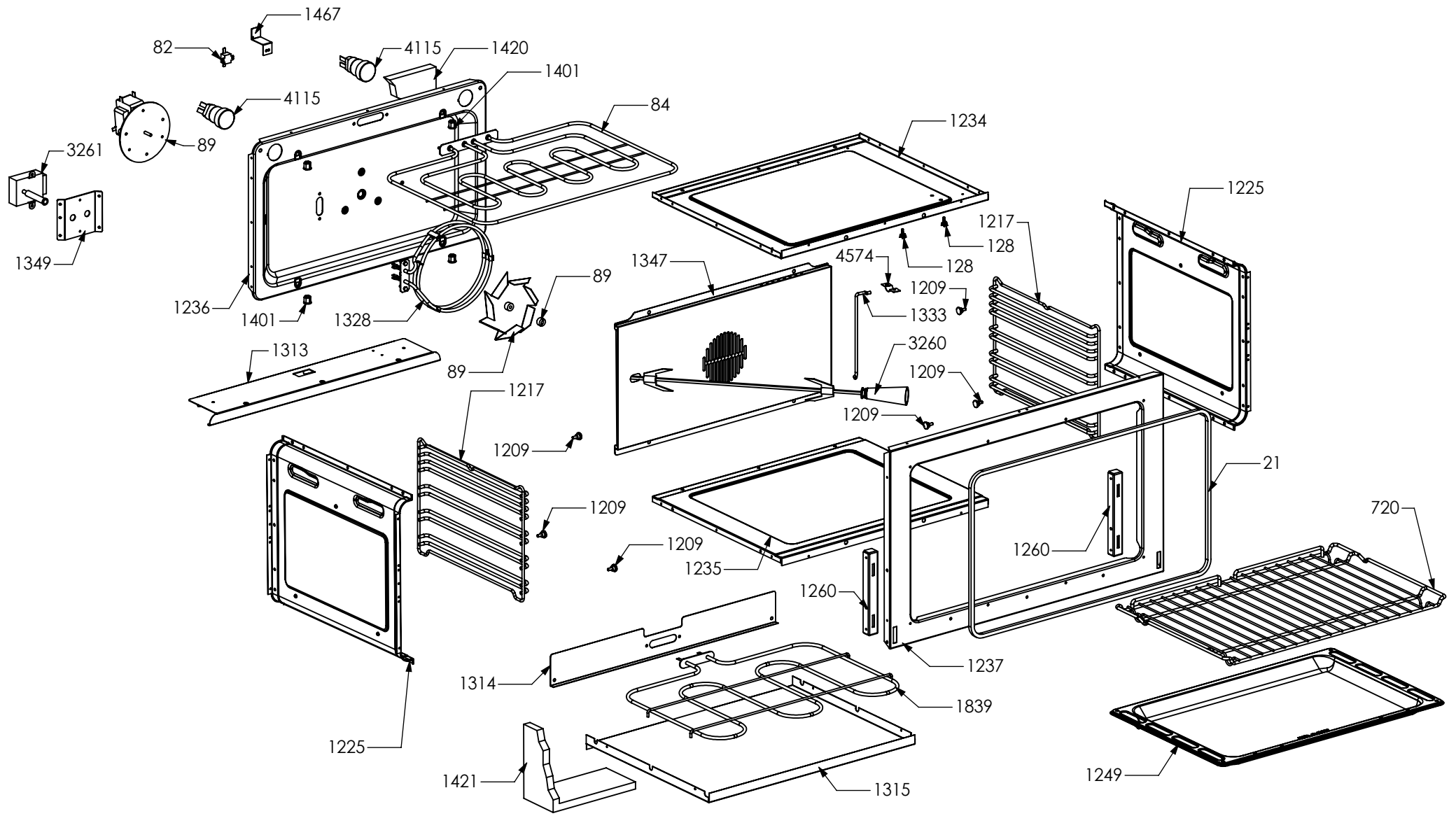
| N° Object | Code | Description | Qty |
|-----------|--------|--|-----|
| 5819 | ZS8627 | Semi-rapid burner flame spreader HE2 ALU | 2 |
| 5820 | ZS8629 | Rapid burner flame spreader HE2 ALU | 2 |
| 5822 | ZS8639 | Wok burner flame spreader ALU | 1 |
| 5849 | ZS8914 | Frontal bar profile cooker 90 | 1 |



| N° Object | Code | Description | Qty |
|-----------|--------|---|-----|
| 94 | 481814 | Commutator multif. for 90 built-in oven(no pizza) | 1 |
| 455 | ZS1075 | Oven thermostat | 1 |
| 538 | ZS1204 | Led transparent | 2 |
| 539 | ZS1205 | Fluorescent green warning light | 1 |
| 823 | ZS1755 | Fluorescent orange warning light | 1 |
| 1588 | ZS2889 | Commutator oven functions 90 EGO | 1 |
| 3649 | ZS5713 | Electrical display support | 1 |
| 3921 | ZS6051 | Glass lcd 3 button no holes | 1 |
| 3936 | ZS6334 | Timer (blue led) 3 TT SIEBE Touch meat probe | 1 |
| 4522 | ZS7089 | Knob gas burners ATG | 2 |
| 5852 | ZS8917 | Commutator support 2 positions | 1 |



| N° Object | Code | Description | Qty |
|-----------|--------|---|-----|
| 98 | 481913 | Terminal board for oven 32 PA 233 | 1 |
| 1439 | ZS2663 | Cooling fan L=180 Plaset (AU) | 1 |
| 1913 | ZS2718 | Muffle fan guard cooker 90 cm Prt / Drb | 1 |
| 1944 | ZS2719 | Air conveyor for cooktop 090/100 Prb/Drb | 1 |
| 3054 | ZS5128 | Ramp hole closing plate | 1 |
| 3484 | ZS5647 | "Steel - Stile in cucina" plate | 1 |
| 5033 | ZS7657 | Door hinge for drawer door | 2 |
| 5266 | ZS8337 | Side external right/left lower ADG S.STEEL | 2 |
| 5267 | ZS8339 | Upper guard for drawer 90 | 1 |
| 5268 | ZS8340 | Front support for muffle left side cooker 90 | 1 |
| 5269 | ZS8341 | Front support for muffle right side cooker 90 | 1 |
| 5270 | ZS8342 | Rear support for muffle left/right side cooker 90 | 2 |
| 5271 | ZS8343 | Rear guard for cooker 90 ADG | 1 |
| 5309 | ZS8457 | Drawer door cooker 90 ADG s.steel | 1 |
| 5310 | ZS8458 | Counterdoor drawer cooker 90 | 1 |
| 5559 | ZA0059 | Adjustable feet H100/145 inox ADG | 4 |
| 5873 | GR2717 | Assembly complete lower reinforcement 90 | 1 |
| 130 | 601156 | Tapping screw M10 galvanized | 4 |
| 1912 | ZS2717 | Lower guard for cooker 090 Party | 1 |



| N° Object | Code | Description | Qty | N° Object | Code | Description | Qty |
|-----------|--------|---|-----|-----------|--------|--|-----|
| 21 | 401638 | Gasket oven 90 | 1 | 3261 | ZS5236 | Turnspit motor reducer 50/60 Hz | 1 |
| 82 | 481403 | Thermoswitch 16 Ampere | 1 | 4115 | ZS6631 | Compete Lamp-holder for oven (max 25 W) | 2 |
| 84 | 481589 | Grill heating element for oven 90 | 1 | 4574 | ZS6005 | Fixing support for turnspit motor oven 60/90 | 1 |
| 89 | 481727 | Circular tangential oven 90 fan (AU) with fan and nut | 1 | | | | |
| 128 | 601152 | Spring fixing feeler for built-in oven | 2 | | | | |
| 720 | 451200 | Chromed wire grid for oven 90 AU | 1 | | | | |
| 1209 | 414559 | Lateral frame support for built-in oven | 6 | | | | |
| 1217 | ZS2283 | Oven lateral frame 30/60/90 | 2 | | | | |
| 1225 | ZS2312 | Side muffle oven 30/60/90 enamelled 04 | 2 | | | | |
| 1234 | ZS2330 | Enamelled muffle ceiling oven 90 | 1 | | | | |
| 1235 | ZS2332 | Enamelled muffle bottom for oven 90 | 1 | | | | |
| 1236 | GR2334 | Assembly rear muffle oven 90 enamelled 04 | 1 | | | | |
| 1401 | ZS2585 | Tapping screw M5 aluminium | 4 | | | | |
| 1237 | ZS2336 | Enamelled muffle front side oven 90 | 1 | | | | |
| 1249 | ZS2366 | Enamelled drip tray for oven 90 | 1 | | | | |
| 1260 | ZS2395 | Hinge support 06 | 2 | | | | |
| 1313 | ZS2467 | Grill heating element support for muffle oven 90 enamelled 04 | 1 | | | | |
| 1314 | ZS2468 | Lower heating elem.support oven 90 04 | 1 | | | | |
| 1315 | ZS2469 | Lower heating element tray oven 90 04 | 1 | | | | |
| 1328 | 482325 | Circular heating element 230V-2500W | 1 | | | | |
| 1333 | ZS2289 | Support for grillrod 60/90 | 1 | | | | |
| 1347 | ZS2486 | Fan cover for oven 90 with turnspit hole 04 BLACK | 1 | | | | |
| 1349 | ZS2499 | Fixing support for turnspit motor oven 60/90 | 1 | | | | |
| 1420 | ZS2625 | White glass wool for rear side 90 oven | 1 | | | | |
| 1421 | ZS2626 | White glass wool for 90 oven 04 | 1 | | | | |
| 1467 | ZS2604 | Support for safety thermostat 04 | 1 | | | | |
| 1839 | ZS3082 | Lower heating element for oven 90 (1400 W) | 1 | | | | |
| 3260 | ZS5175 | Turnspit for oven 90 (4 forks + handle) - 04 | 1 | | | | |

4389

1221

4903

1384

5358

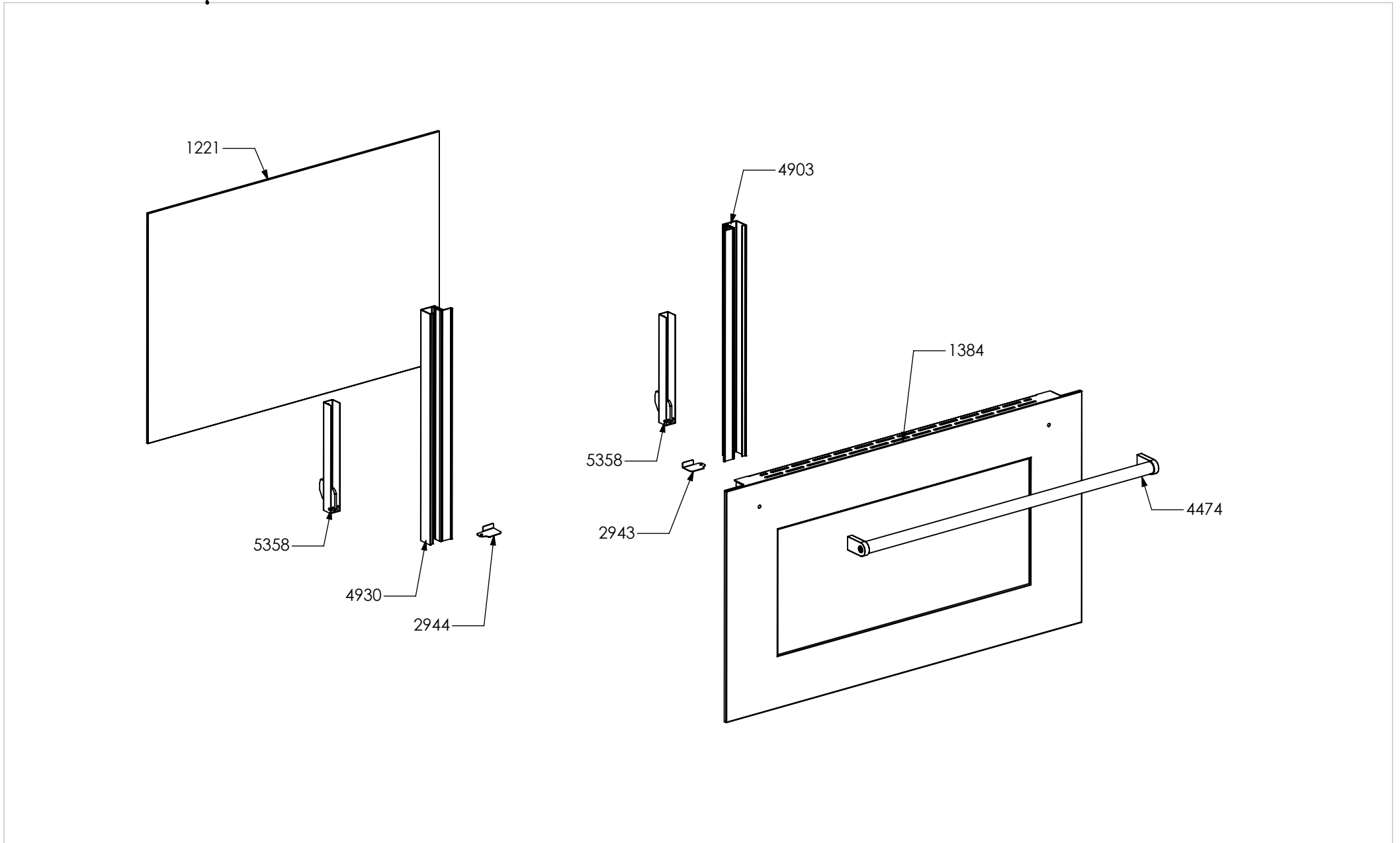
2943

4474

5358

4930

2944



| N° Object | Code | Description | Qty |
|-----------|--------|---|-----|
| 4389 | GR7026 | Assembly glued oven door 90 | 1 |
| 4903 | GR7666 | Assembly door 30/60/90 right bar profile 15 | 1 |
| 4930 | GR8097 | Assembly door 30/60/90 left bar profile 15 | 1 |
| 1221 | ZS2307 | Inner glass oven door 90 | 1 |
| 1384 | ZS2552 | Glued external oven door 90 | 1 |
| 2943 | ZS4746 | Right support for inner glass | 1 |
| 2944 | ZS4747 | Left support for inner glass | 1 |
| 4474 | ZS6996 | Door oven handle for oven 90 PLG | 1 |
| 5358 | ZS8596 | Door hinge for oven 90 | 2 |

| N° Object | Code | Description | Qty |
|-----------|--------|--|-----|
| 725 | 601108 | Anti-overturning device | 0,3 |
| 1210 | ZS5149 | Adhesive tape 33 mt x 17h mm x th 0,6 mm (3M 4930) | 200 |
| 1586 | ZS2770 | Additional wiring generic L=60 cm Fem Fem | 2 |
| 1922 | ZS3395 | Wiring diagram for cooker P9FEV-5 | 1 |
| 5793 | ZS7811 | Instruction booklet cooker Party MULTILANGUAGE | 1 |