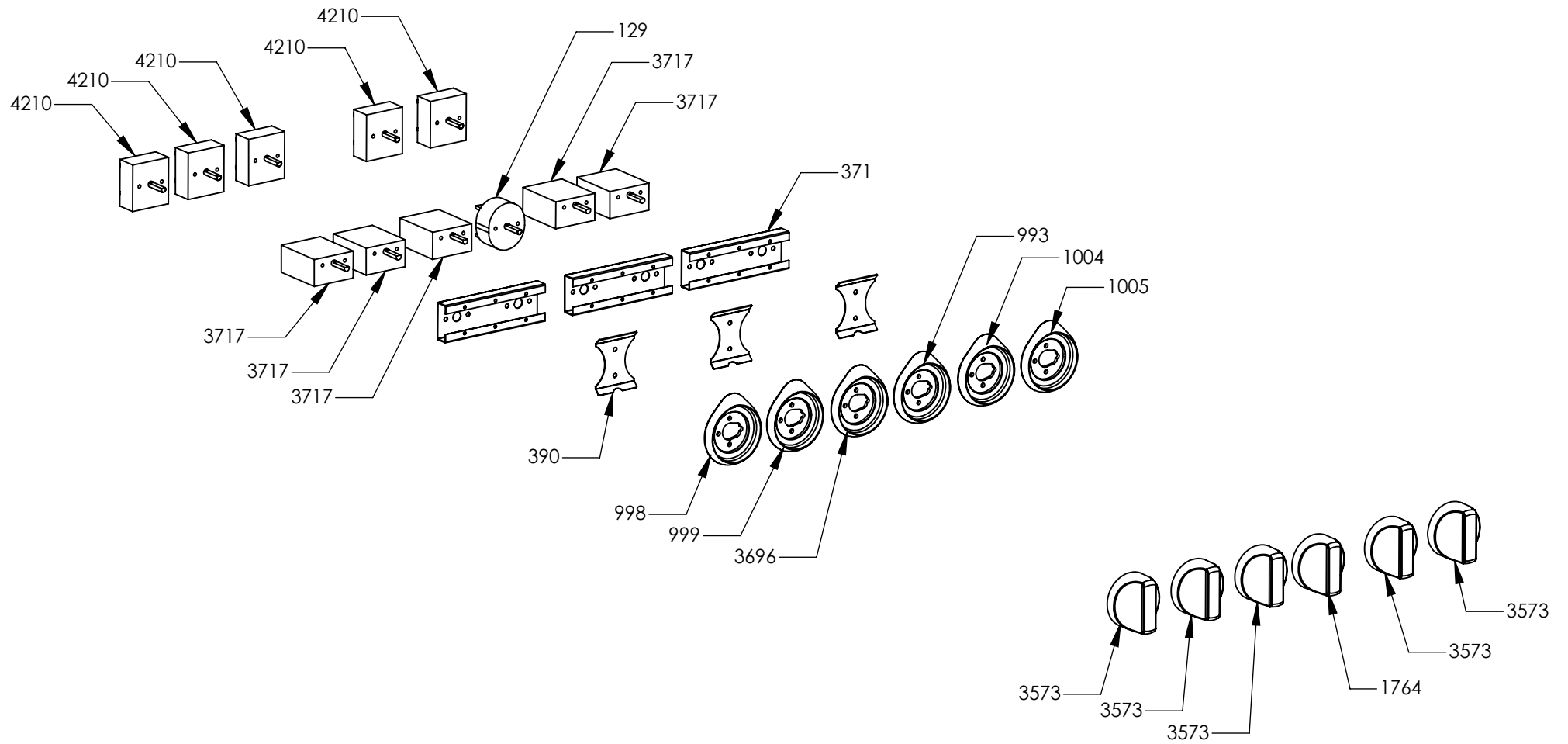
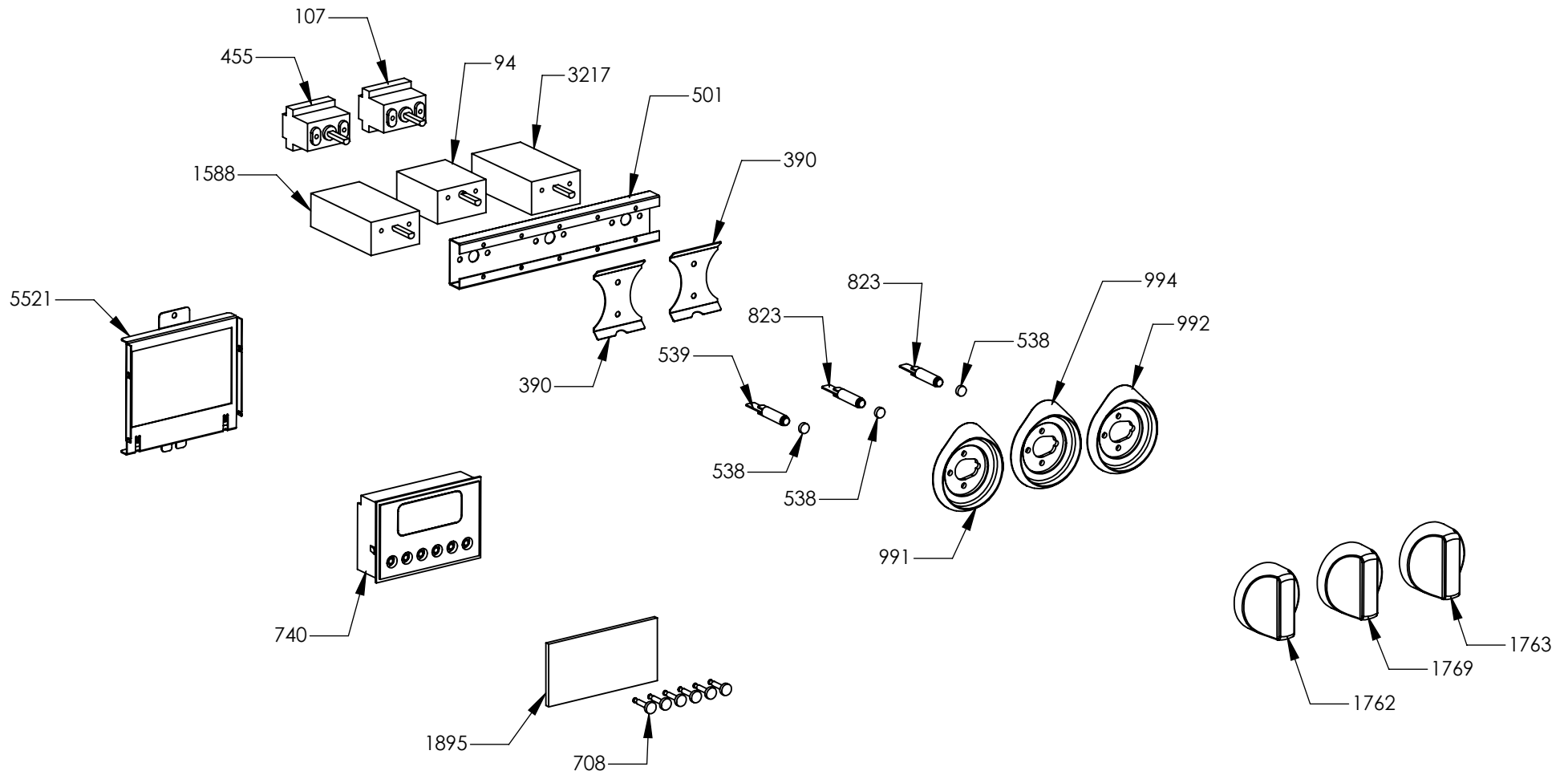


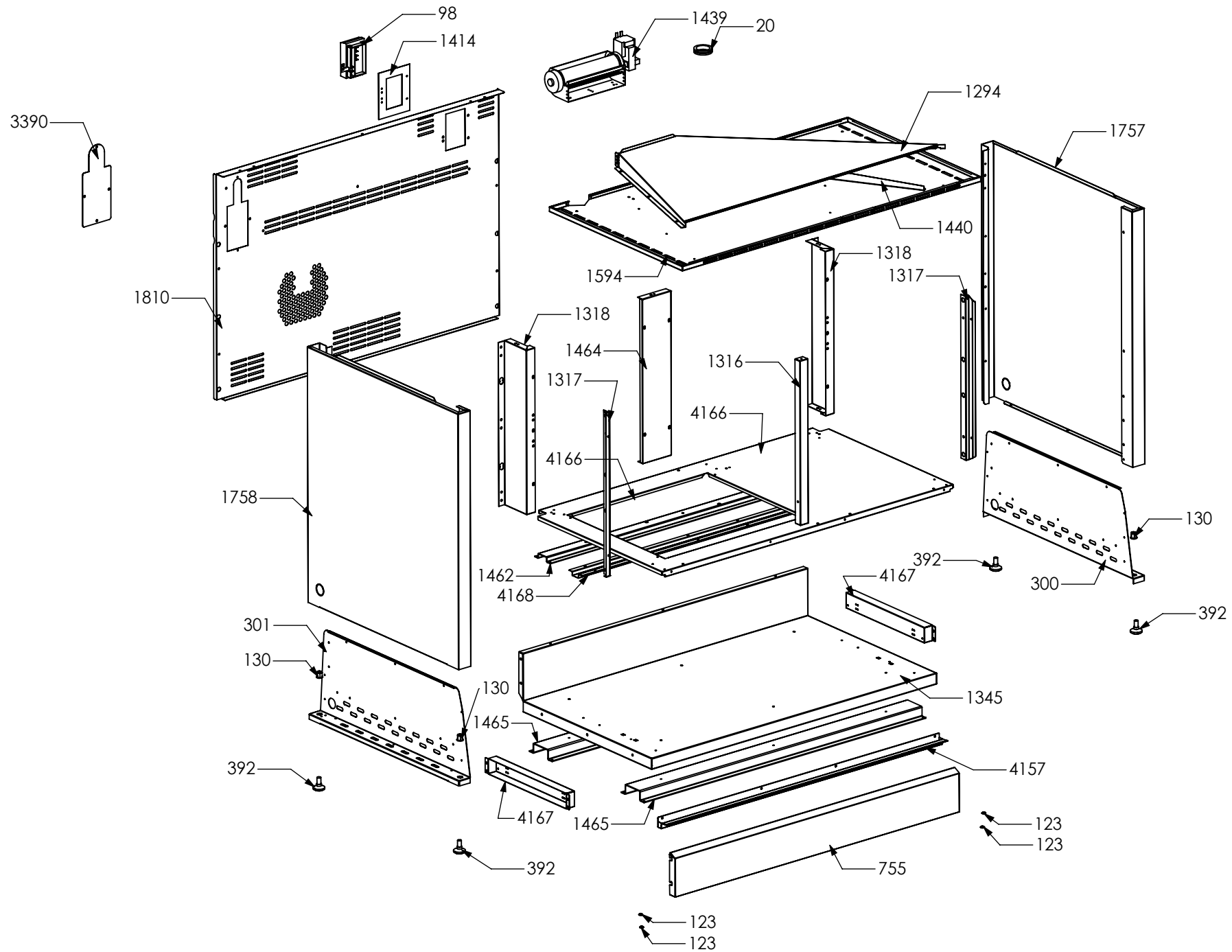
N° Object	Code	Description	Qty
1014	ZS2026	Thermostat TY60 N.O. fixing B	1
1059	GR2148	Assembly frontal bar profile top 100 polished	1
1061	ZS2163	Blocking device for frontal bar profile top SLT	2
1606	ZS2995	Fixing spring for front profile	6
4211	ZS5378	Induction 5 element EGO	1
4241	ZS6722	Lower guard for induction cooker 090 EGO	1
4242	ZS6723	Support heating induction element	3
4266	ZS6787	Encoders control board	1
4304	GR6899	Assembly cooktop cooker 100 double oven induction	1
1023	ZS2093	Sintesi upper right side clamp 62.5 extended	1
1024	ZS2094	Sintesi upper left side clamp 62.5 extended	1
1441	ZS2665	Support for fan timelag device	1
1667	ZS3012	Upper lateral panel right side	1
1668	ZS3014	Upper lateral panel left side	1
1612	ZS3020	Support for connection top-base	2
5503	ZS6140	Display support	1
4321	ZS6726	Glass for 100 induction hob or cooker	1
5776	ZS3932	Support for back splash h. 4 cm cooker 100 Sintesi	1
5783	ZS6817	Feet for electronic componets EGO	3
5784	ZS6904	Cover for induction terminal board	1
5785	ZS6905	Bridge for induction terminal board	1
5842	ZS8867	Support for back splash h. 4 cm cooker 090 Sintesi internal	1



N° Object	Code	Description	Qty
129	601154	Timer	1
371	ZS0802	Commutator support 2 controls	3
390	ZS0890	Spring for el. controls support	3
993	ZS1641	Bezel for timer knob 58, bright chrome	1
998	ZS1646	Bezel for front left burner knob 58, bright chromed	1
999	ZS1647	Bezel for rear left burner knob 58, bright chromed	1
1004	ZS1652	Bezel for front right burner knob 58, bright chromed	1
1005	ZS1653	Bezel for rear right burner knob 58, bright chromed	1
1764	ZS3153	Knob 58 timer SLT	1
3573	ZS5870	Knob 58 induction element SLT	5
3696	ZS5955	Bezel for central external burner knob 58, bright chromed	1
3717	ZS6026	Switch for induction encoder	5
4210	ZS5377	Energy regulator for induction 230 V EGO EU	5

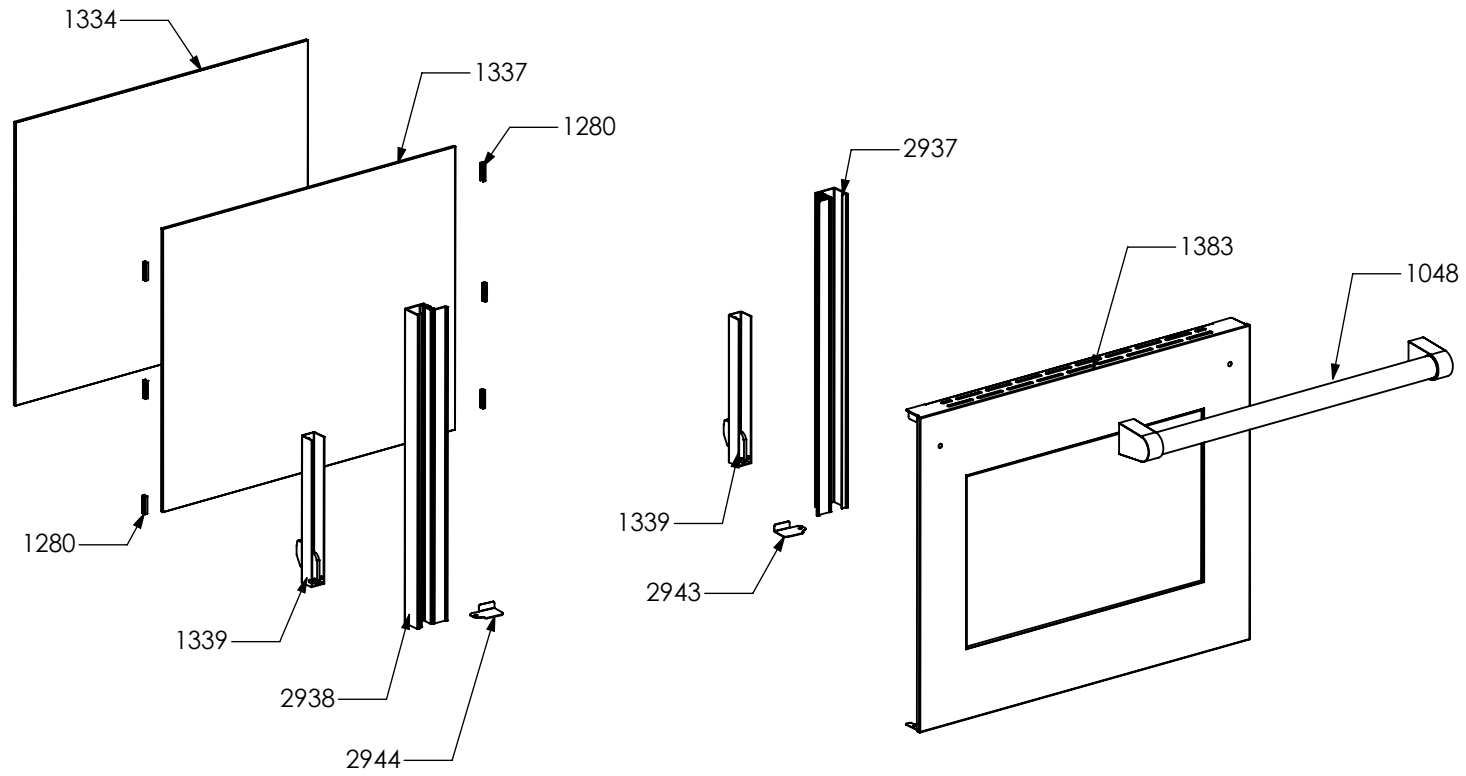


N° Object	Code	Description	Qty
94	481814	Commutator multif. for 90 built-in oven(no pizza)	1
107	482120	Thermostat cooker 192	1
390	ZS0890	Spring for el. controls support	2
455	ZS1075	Thermostat for built-in oven	1
501	ZS1136	Commutator support	1
538	ZS1204	Led transparent	3
539	ZS1205	Fluorescent green warning light	1
708	ZS1916	Knob for timer steel-colour 988	6
740	ZS1747	Timer (blue led) 50 Hz	1
823	ZS1755	Fluorescent orange warning light	2
991	ZS1639	Bezel for main oven functions knob 58, bright chromed	1
992	ZS1640	Bezel for 30 oven functions knob 58, bright chromed	1
994	ZS1642	Bezel for oven temperature knob 58, bright chrome	1
1588	ZS2889	Commutator oven functions 90 EGO	1
1762	ZS3151	Knob 58 main oven functions SLT	1
1763	ZS3152	Knob 58 oven 30 functions SLT	1
1769	ZS3158	Knob 58 for oven temperature SLT	1
1895	ZS3652	Glass lcd 6 button no hole	1
3217	ZS4568	Commutator oven functions 30 EGO	1
5521	ZS6139	Electrical display support	1

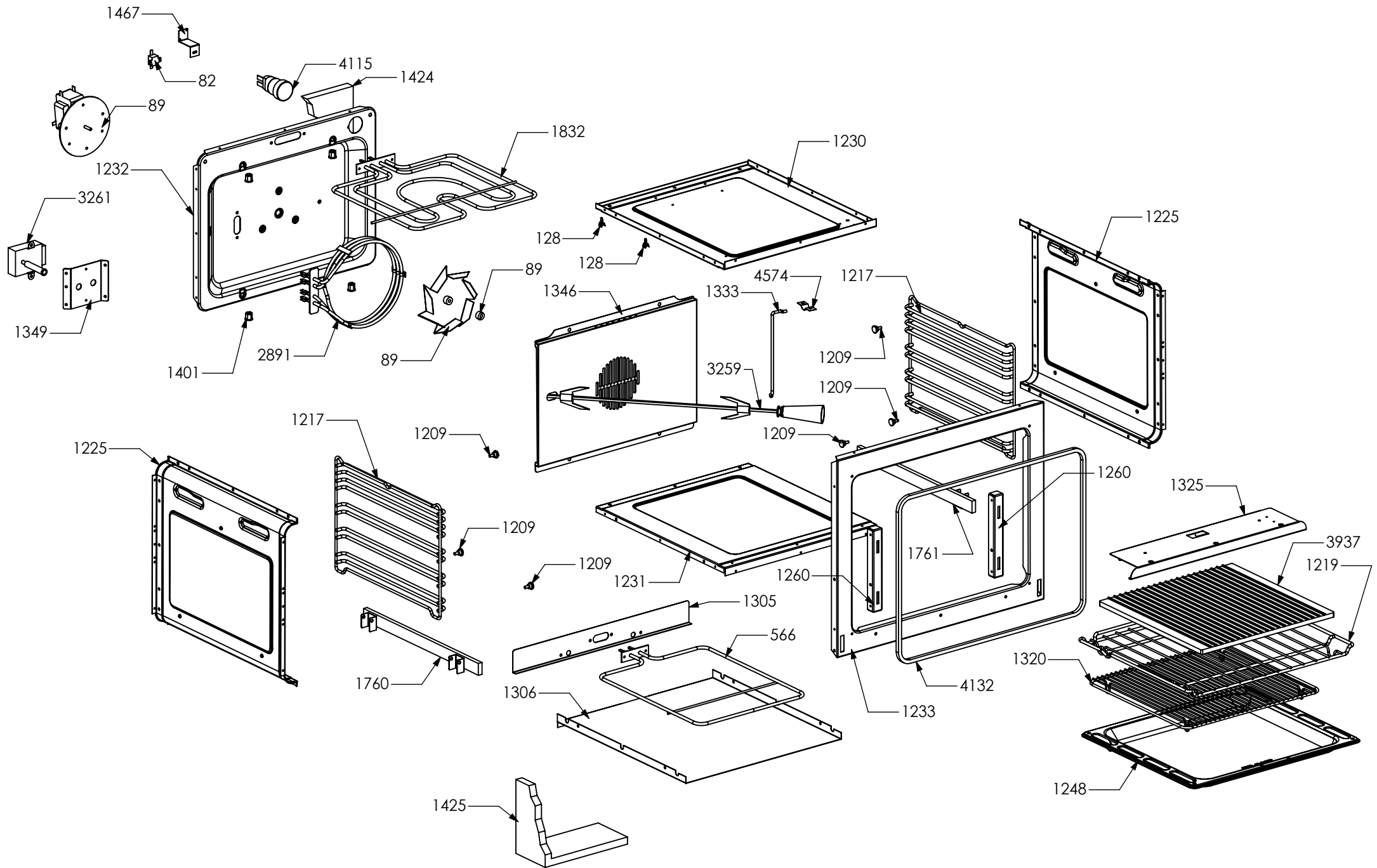


N° Object	Code	Description	Qty	N° Object	Code	Description	Qty
20	401520	Black cap for glass front panel	1	4168	ZS6685	Reinforcement for ceiling drawer cooker 100 SF double oven 04	1
98	481913	Terminal board for oven 32 PA 233	1				
123	541011	Spacer washer for built-in oven	4				
300	GR0591	Assembly complete lower reinforcement right side	1				
130	601156	Tapping screw M10 galvanized	2				
301	GR0592	Assembly complete lower reinforcement left side	1				
130	601156	Tapping screw M10 galvanized	2				
392	ZS0903	Sintesi black foot H.15	4				
755	ZS1917	Plinth for cooker 100 double oven	1				
1294	ZS2440	Air conveyor for cooktop 100 DC double oven 04	1				
1316	ZS2474	Front central muffle support cooker 100/120 double oven	1				
1317	ZS2475	Front support for muffle R/L side 100/120 double/triple oven cooker	2				
1318	ZS2477	Rear support for muffle left/right side cooker 100 double/triple oven	2				
1345	ZS2479	Lower guard for cooker 100 double oven 04	1				
1414	ZS2601	Terminal board support	1				
1439	ZS2663	Cooling fan L=180 Plaset (AU)	1				
1440	ZS2664	Air conveyor separator cooker 100 DC/TC	1				
1462	ZS2472	Reinforcement for ceiling drawer cooker 100 double oven 04	1				
1464	ZS2476	Rear central support for muffle cooker 100 double oven	1				
1465	ZS2478	Reinforcement for lower guard cooker 100 double oven 04	2				
1594	ZS2937	Muffle fan guard cooker 100 double/Triple oven	1				
1757	ZS3016	Complete lower side panel DX 04	1				
1758	ZS3018	Complete lower left side 04	1				
1810	ZS3385	Rear guard for cooker 100 double oven extended 62.5 06	1				
3390	ZS5497	Ramp hole closing plate	1				
4157	ZS6628	Bracket condensate collection for 100 DC Steam	1				
4166	ZS6683	Drawer upper guard for cooker 100 double oven Steam	1				
4167	ZS6684	Reinforcement for lower guard oven	2				

2601

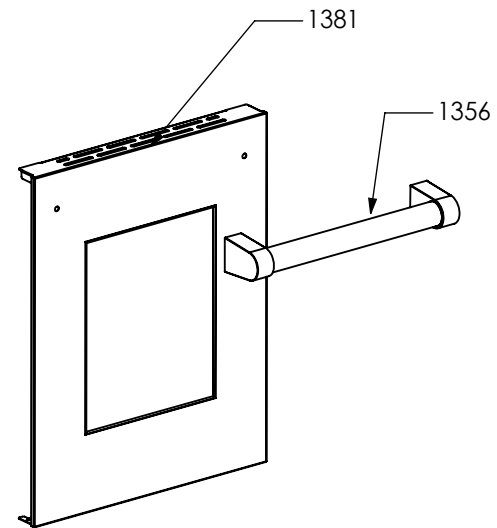
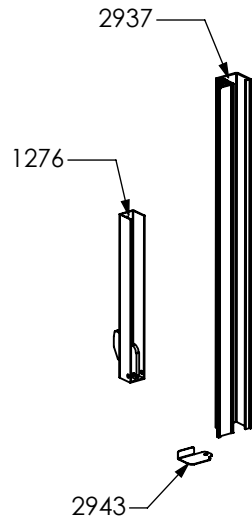
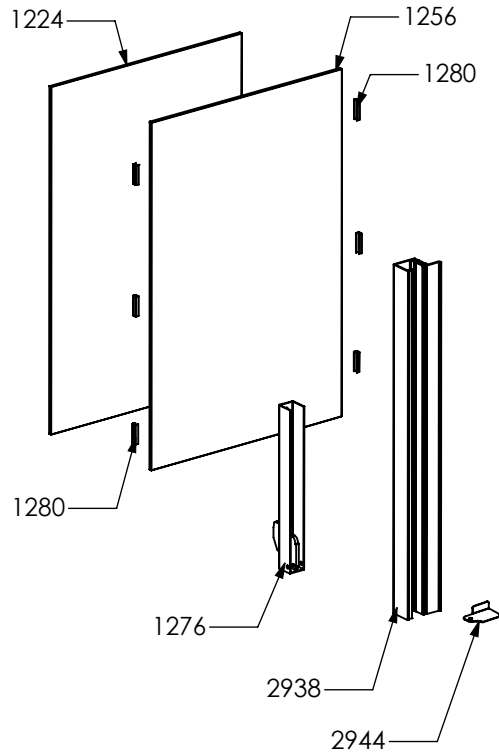


N° Object	Code	Description	Qty
2601	GR2550	Assembly glued oven door 60/100 double oven	1
2937	GR4313	Assembly door 30/60/90 right bar profile 07	1
2938	GR4314	Assembly door 30/60/90 left bar profile 07	1
1048	ZS2130	Door oven handle for oven 60 chromed SLT cooker 100	1
1334	ZS2308	Inner glass oven door 60	1
1337	ZS2393	In-between glass oven door 60 04	1
1339	ZS2416	Door hinge for multifunction oven 60	2
1280	ZS2419	Spring for door glass assembling 04	6
1383	ZS2550	Glued external oven door 60/100 double oven	1
2943	ZS4746	Right support for inner glass	1
2944	ZS4747	Left support for inner glass	1

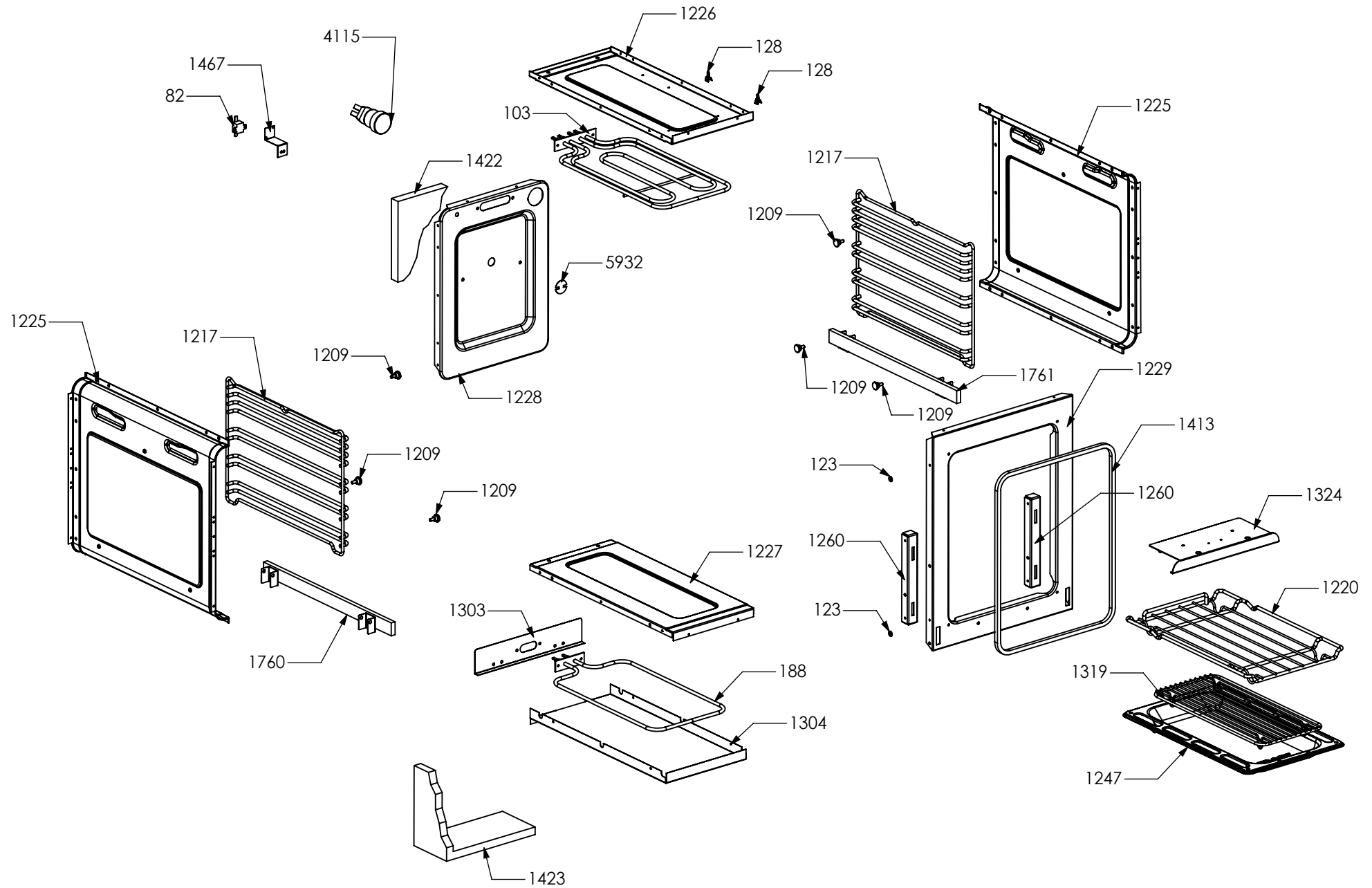


N° Object	Code	Description	Qty	N° Object	Code	Description	Qty
82	481403	Thermoswitch 16 Ampere	1	2891	482589	Circular heating element 230V-2100W	1
89	481727	Circular tangential oven 90 fan (AU) with fan and nut	1	3259	ZS5174	Turnspit for oven 60 (4 forks + handle) - 04	1
128	601152	Spring fixing feeler for built-in oven	2	3261	ZS5236	Turnspit motor reducer 50/60 Hz	1
566	ZS7590	Lower heating element for oven 60 (1200W/230V)	1	3937	ZS6339	Ceramic tiles for BBQ	1
1209	414559	Lateral frame support for built-in oven	6	4115	ZS6631	Compete Lamp-holder for oven (max 25 W)	1
1217	ZS2283	Oven lateral frame 30/60/90	2	4132	ZS6541	Gasket oven 60 H=8.9 mat HT	1
1219	ZS2286	Chromed wire grid for oven 60	2	4574	ZS6005	Fixing support for turnspit motor oven 60/90	1
1225	ZS2312	Side muffle oven 30/60/90 enamelled 04	2				
1230	ZS2322	Enamelled muffle ceiling oven 60	1				
1231	ZS2324	Enamelled muffle bottom for oven 60	1				
1232	GR2326	Assembly rear muffle oven 60/100 enamelled 04	1				
1401	ZS2585	Tapping screw M5 aluminium	4				
1233	ZS2328	Enamelled muffle front side oven 60	1				
1248	ZS2364	Enamelled drip tray for oven 60	1				
1260	ZS2395	Hinge support 06	2				
1305	ZS2456	Lower heating elem.support oven 60 double oven 04	1				
1306	ZS2459	Lower heating element tray oven 60 04	1				
1320	ZS2489	Trivet for oven 60 04	1				
1325	ZS2496	Grill heating element support for muffle oven 60 enamelled 04	1				
1333	ZS2289	Support for grillrod 60/90	1				
1346	ZS2484	Fan cover for oven 60 with turnspit hole BLACK	1				
1349	ZS2499	Fixing support for turnspit motor oven 60/90	1				
1424	ZS2629	White glass wool for rear side 60 oven 04	1				
1425	ZS2632	White glass wool for 60 oven 04	1				
1467	ZS2604	Support for safety thermostat 04	1				
1760	ZS3078	Telescopic liner left	2				
1761	ZS3079	Telescopic liner right	2				
1832	482094	Grill heating element for oven 60 (1900+850W)	1				

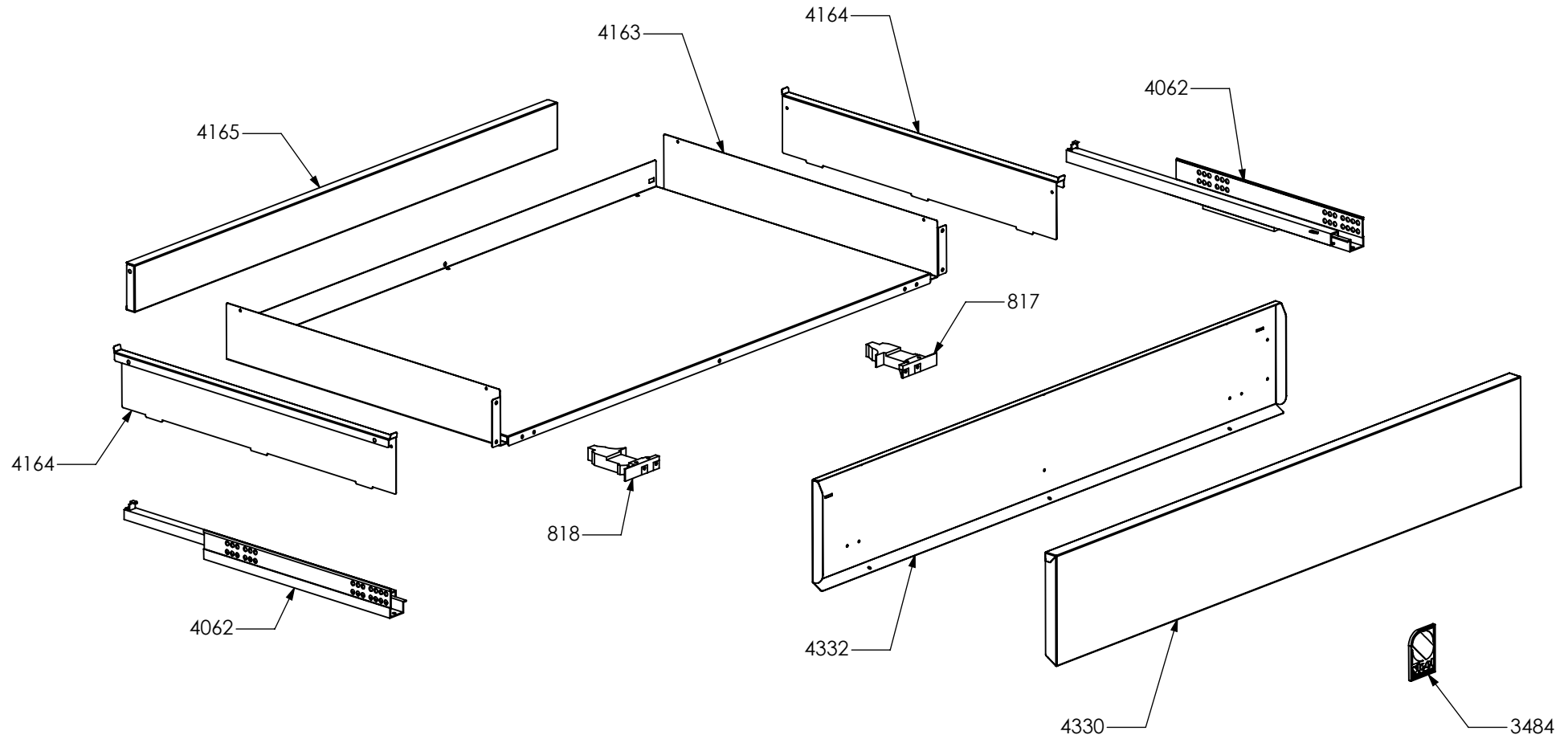
2599



N° Object	Code	Description	Qty
2599	GR2546	Assembly glued oven door 30	1
2937	GR4313	Assembly door 30/60/90 right bar profile 07	1
2938	GR4314	Assembly door 30/60/90 left bar profile 07	1
1224	ZS2311	Inner glass oven door 30	1
1256	ZS2390	In-between glass oven door 30 04	1
1276	ZS2413	Door hinge for oven 30	2
1280	ZS2419	Spring for door glass assembling 04	6
1356	ZS2507	Door oven handle for oven 30 chromed SLT	1
1381	ZS2546	Glued external oven door 30 KL	1
2943	ZS4746	Right support for inner glass	1
2944	ZS4747	Left support for inner glass	1



N° Object	Code	Description	Qty	N° Object	Code	Description	Qty
82	481403	Thermoswitch 16 Ampere	1				
103	482072	Upper heating element cooker Ratio	1				
123	541011	Spacer washer for built-in oven	2				
128	601152	Spring fixing feeler for built-in oven	2				
188	ZS7653	Lower heating element for oven 30	1				
1209	414559	Lateral frame support for built-in oven	6				
1217	ZS2283	Oven lateral frame 30/60/90	2				
1220	ZS2287	Chromed wire grid for oven 30	1				
1225	ZS2312	Side muffle oven 30/60/90 enamelled 04	2				
1226	ZS2314	Enamelled muffle ceiling oven 30	1				
1227	ZS2316	Enamelled muffle bottom for oven 30	1				
1228	ZS2318	Muffle rear side oven 30 enamelled 04	1				
1229	ZS2320	Enamelled muffle front side oven 30	1				
1247	ZS2362	Enamelled drip tray for oven 30	1				
1260	ZS2395	Hinge support 06	2				
1303	ZS2454	Lower heating elem.support oven 30 04	1				
1304	ZS2455	Lower heating element tray oven 30 04	1				
1319	ZS2488	Trivet for oven 30 04	1				
1324	ZS2494	Grill heating element support for muffle oven 30 enamelled 04	1				
1413	ZS2599	Gasket oven 30 04	1				
1422	ZS2627	White glass wool for rear side 30 oven 04	1				
1423	ZS2628	White glass wool for 30 oven 04	1				
1467	ZS2604	Support for safety thermostat 04	1				
1760	ZS3078	Telescopic liner left	2				
1761	ZS3079	Telescopic liner right	2				
4115	ZS6631	Compete Lamp-holder for oven (max 25 W)	1				
5932	ZP0119	Turnspit hole cap	1				



N° Object	Code	Description	Qty
817	ZS0458	Drawer right regulation clip	1
818	ZS0459	Drawer left regulation clip	1
3484	ZS5647	"Steel - Stile in cucina" plate	1
4062	ZS6372	Couple legobox rails partial opening push pull	1
4163	ZS6680	Bottom drawer for cooker 100 double oven S.Steel	1
4164	ZS6681	Drawer lateral side for cooker S.Steel	2
4165	ZS6682	Drawer rear side for cooker 100 double oven S.Steel	1
4330	ZS6840	Drawer door cooker 100 DC SF S.Steel	1
4332	ZS6870	Counterdoor drawer cooker 100 double oven	1

N° Object	Code	Description	Qty
132	ZS5148	Adhesive tape 16,5 m x 19h (3M)	80
725	601108	Anti-overturning device	0,3
1210	ZS5149	Adhesive tape 33 mt x 17h mm x th 0,6 mm (3M 4930)	40
1329	ZS5150	Adhesive tape 33 mt x 25h mm x Th 1.55 mm (3M)	18000
1586	ZS2770	Additional wiring generic L=60 cm Fem Fem	2
4499	ZS7042	Wiring diagram for cooker S10FF-6V	1
5050	ZS7813	Instruction booklet Top/Cooker Multilanguage	1