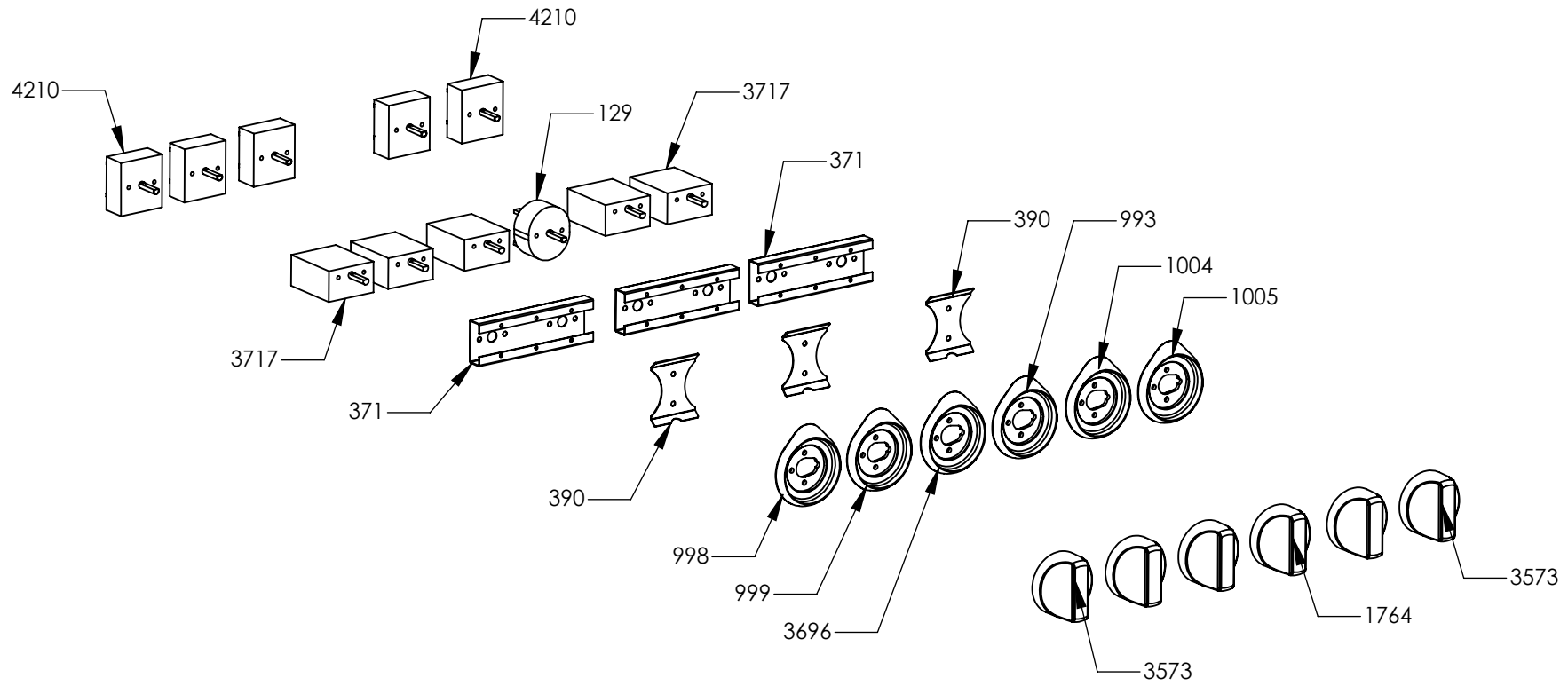
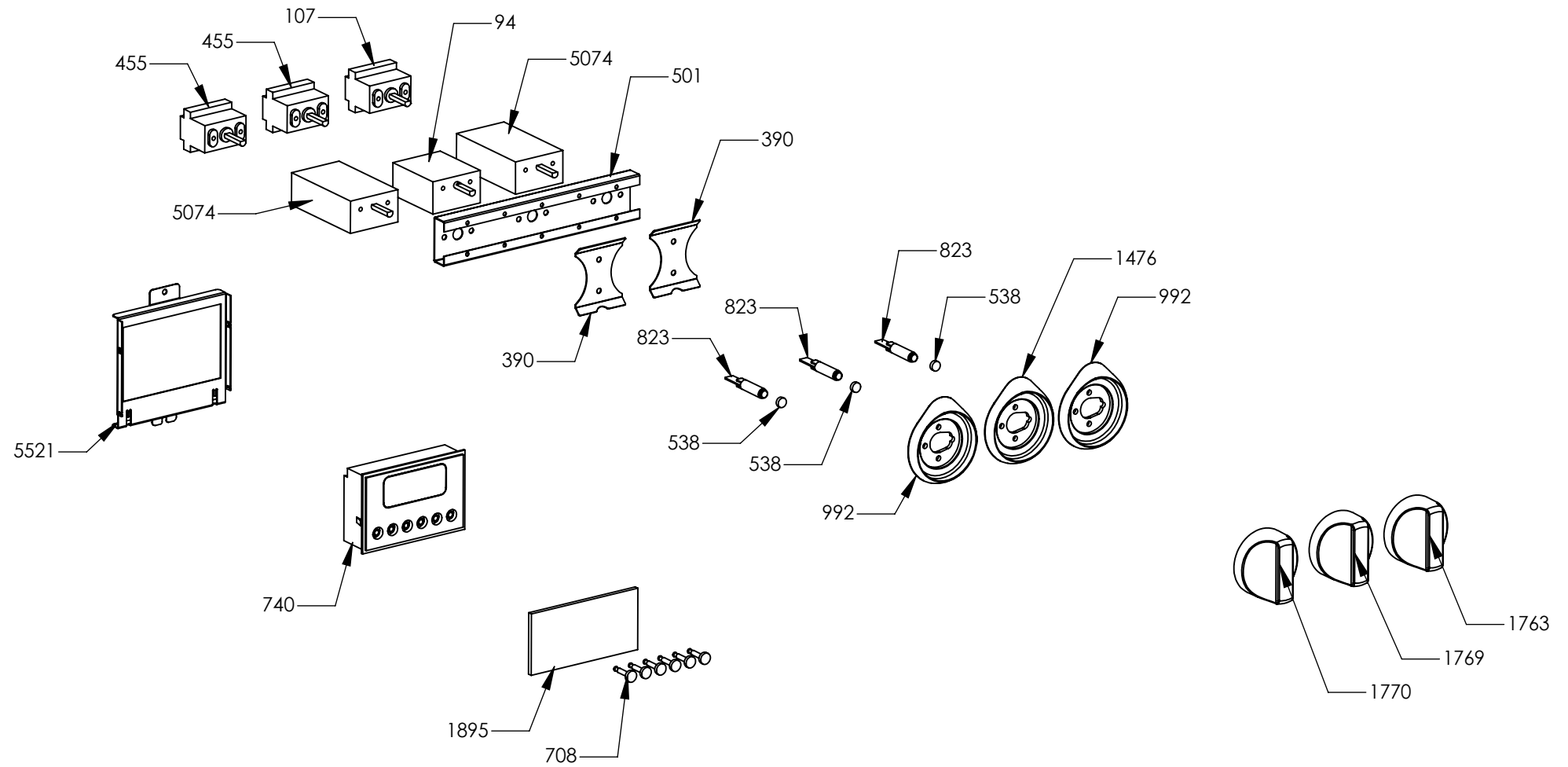


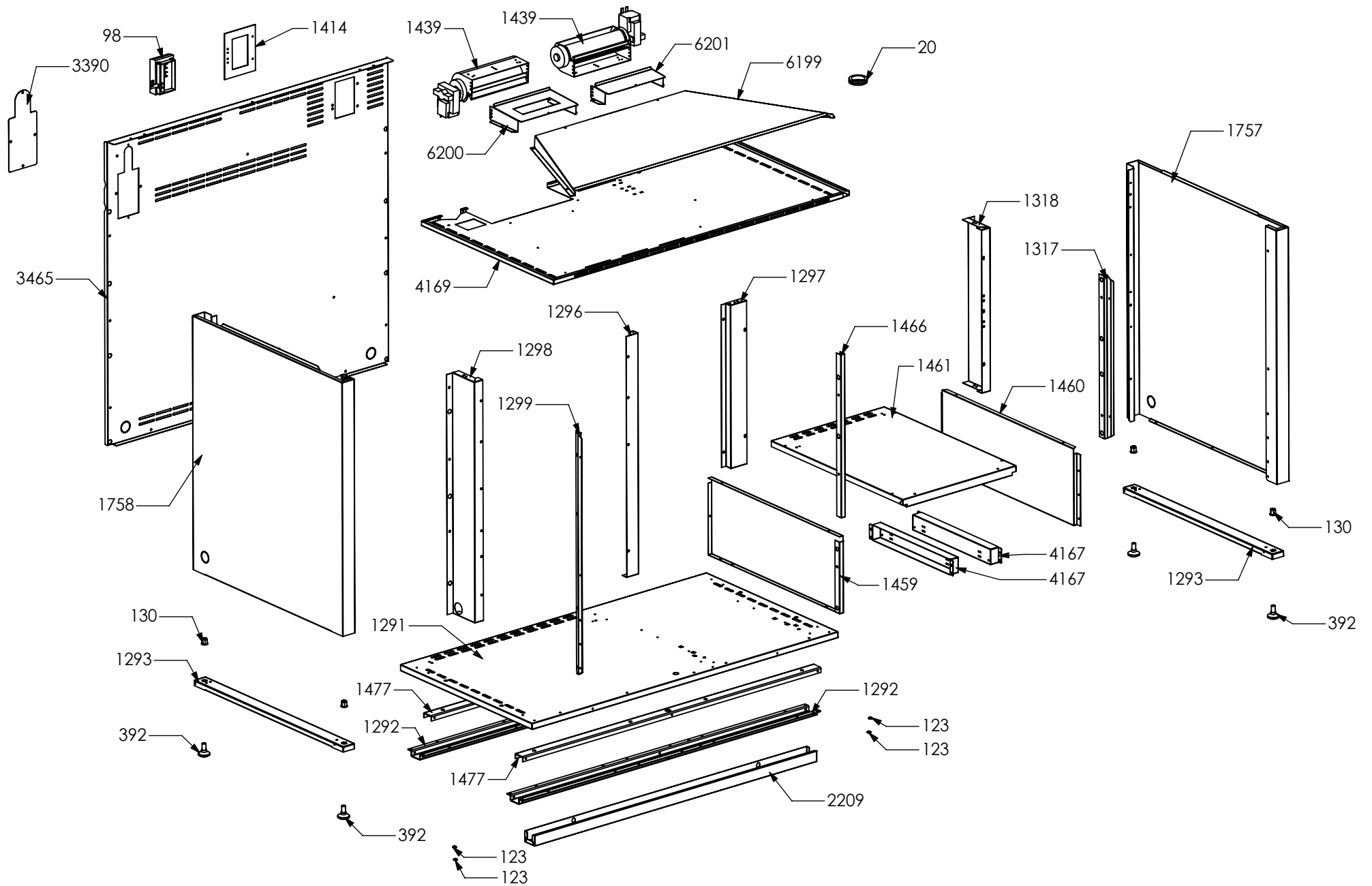
N° Object	Code	Description	Qty
1014	ZS2026	Thermostat TY60 N.O. fixing B	2
1059	GR2148	Assembly frontal bar profile top 100 polished	1
1061	ZS2163	Blocking device for frontal bar profile top SLT	2
1606	ZS2995	Fixing spring for front profile	16
4211	ZS5378	Induction 5 element EGO	1
4266	ZS6787	Encoders control board	1
4304	GR6899	Assembly cooktop cooker 100 double oven induction	1
1023	ZS2093	Sintesi upper right side clamp 62.5 extended	1
1024	ZS2094	Sintesi upper left side clamp 62.5 extended	1
1441	ZS2665	Support for fan timelag device	1
1667	ZS3012	Upper lateral panel right side	1
1668	ZS3014	Upper lateral panel left side	1
1612	ZS3020	Support for connection top-base	2
5503	ZS6140	Display support	1
4321	ZS6726	Glass for 100 induction hob or cooker	1
5776	ZS3932	Rear side closing 100 cooker	1
5783	ZS6817	Feet for electronic components EGO	3
5784	ZS6904	Cover for induction terminal board	1
5785	ZS6905	Bridge for induction terminal board	1
5842	ZS8867	Rear side closing 090/100/120 cooker inside	1
6036	ZS8446	Clamp support for induction 90/100 Sintesi front / rear	2
6038	ZS8877	Support for electronic control induction element	1
6215	ZP0425	Support for fan timelag device	1



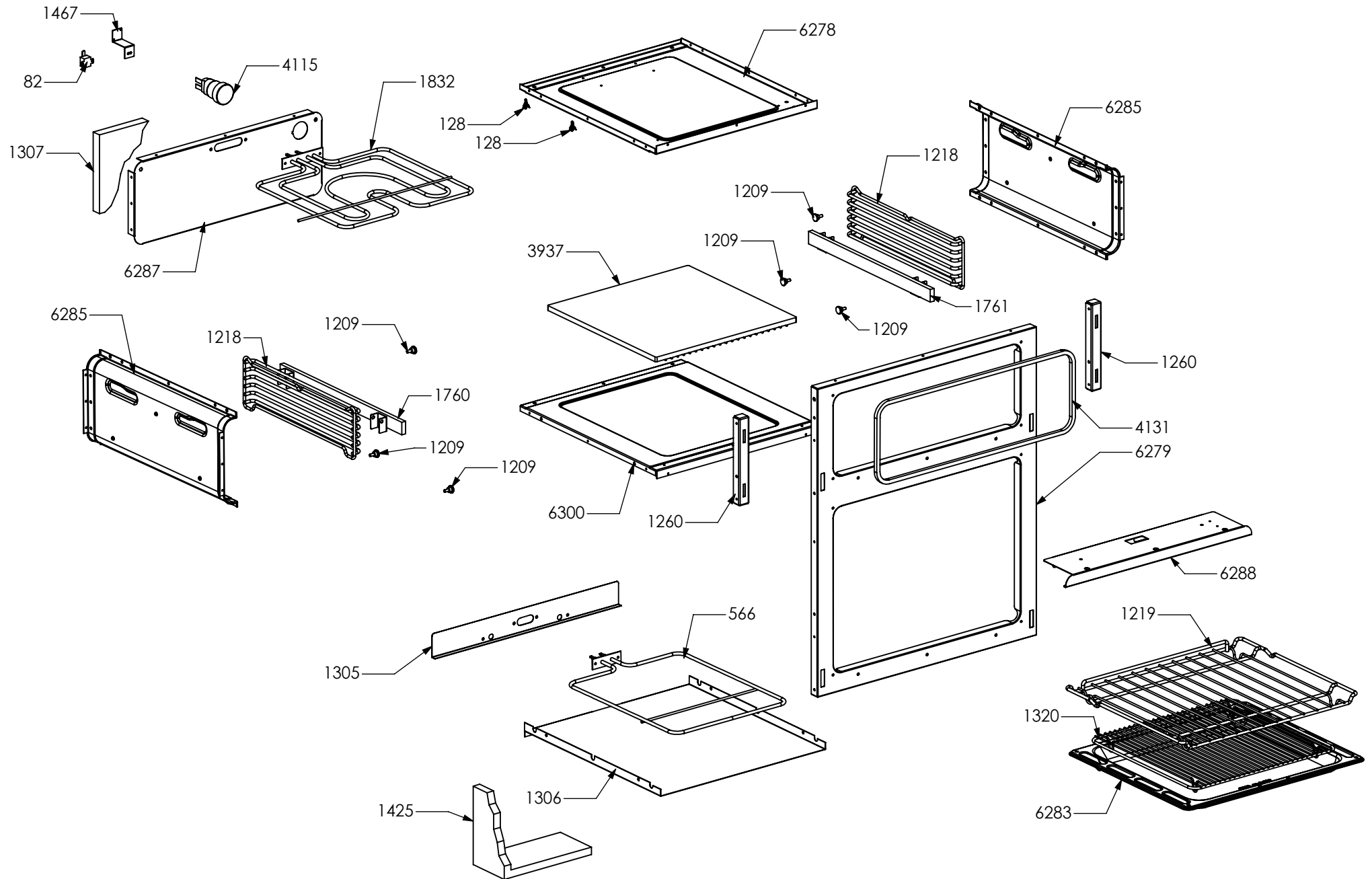
N° Object	Code	Description	Qty
129	601154	Timer	1
371	ZS0802	Commutator support 2 positions	3
390	ZS0890	Spring for el. controls support	3
993	ZS1641	Bezel for timer knob 58, bright chrome	1
998	ZS1646	Bezel for front left burner knob 58, bright chromed	1
999	ZS1647	Bezel for rear left burner knob 58, bright chromed	1
1004	ZS1652	Bezel for front right burner knob 58, bright chromed	1
1005	ZS1653	Bezel for rear right burner knob 58, bright chromed	1
1764	ZS3153	Knob 58 timer SLT	1
3573	ZS5870	Knob 58 induction element SLT	5
3696	ZS5955	Bezel for central external burner knob 58, bright chromed	1
3717	ZS6026	Switch for induction encoder	5
4210	ZS5377	Energy regulator for induction 230 V EGO EU	5



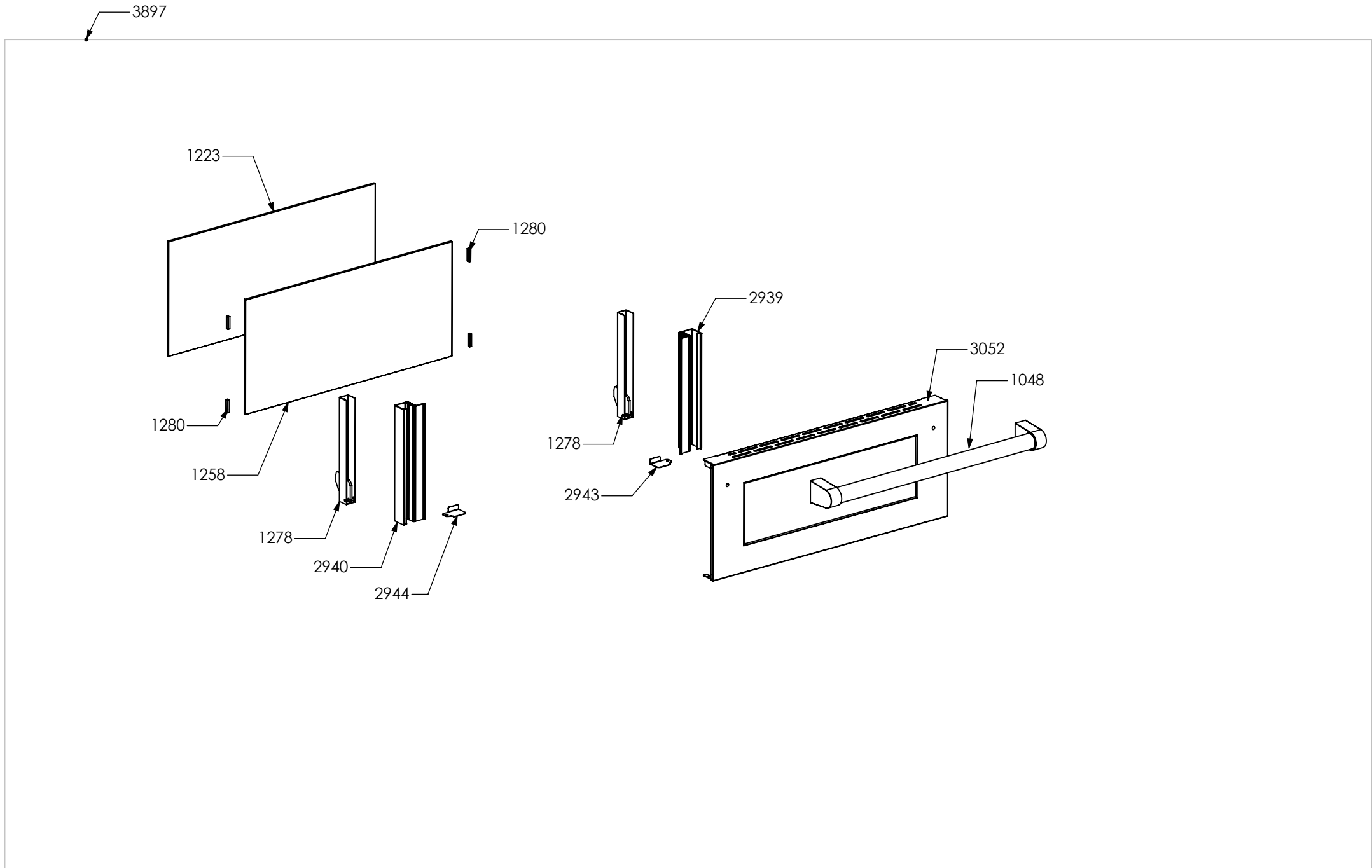
N° Object	Code	Description	Qty
94	481814	Commutator multif. for 90 built-in oven(no pizza)	1
107	482120	Thermostat cooker 192	1
390	ZS0890	Spring for el. controls support	2
455	ZS1075	Oven thermostat	2
501	ZS1136	Commutator support 3 positions	1
538	ZS1204	Led transparent	3
708	ZS1916	Knob for timer steel-colour 988	6
740	ZS1747	Timer (blue led) 50 Hz	1
823	ZS1755	Fluorescent orange warning light	3
992	ZS1640	Bezel for 30 oven functions knob 58, bright chromed	2
1476	ZS2774	Bezel for oven 60 functions knob 58, bright chromed	1
1763	ZS3152	Knob 58 oven 30 functions SLT	1
1769	ZS3158	Knob 58 for oven temperature SLT	1
1770	ZS3159	Knob 58 grill oven 60 functions SLT	1
1895	ZS3652	Glass lcd 6 button no hole	1
5074	ZS7893	Commutator oven functions 060 R	2
5521	ZS6139	Electrical display support	1



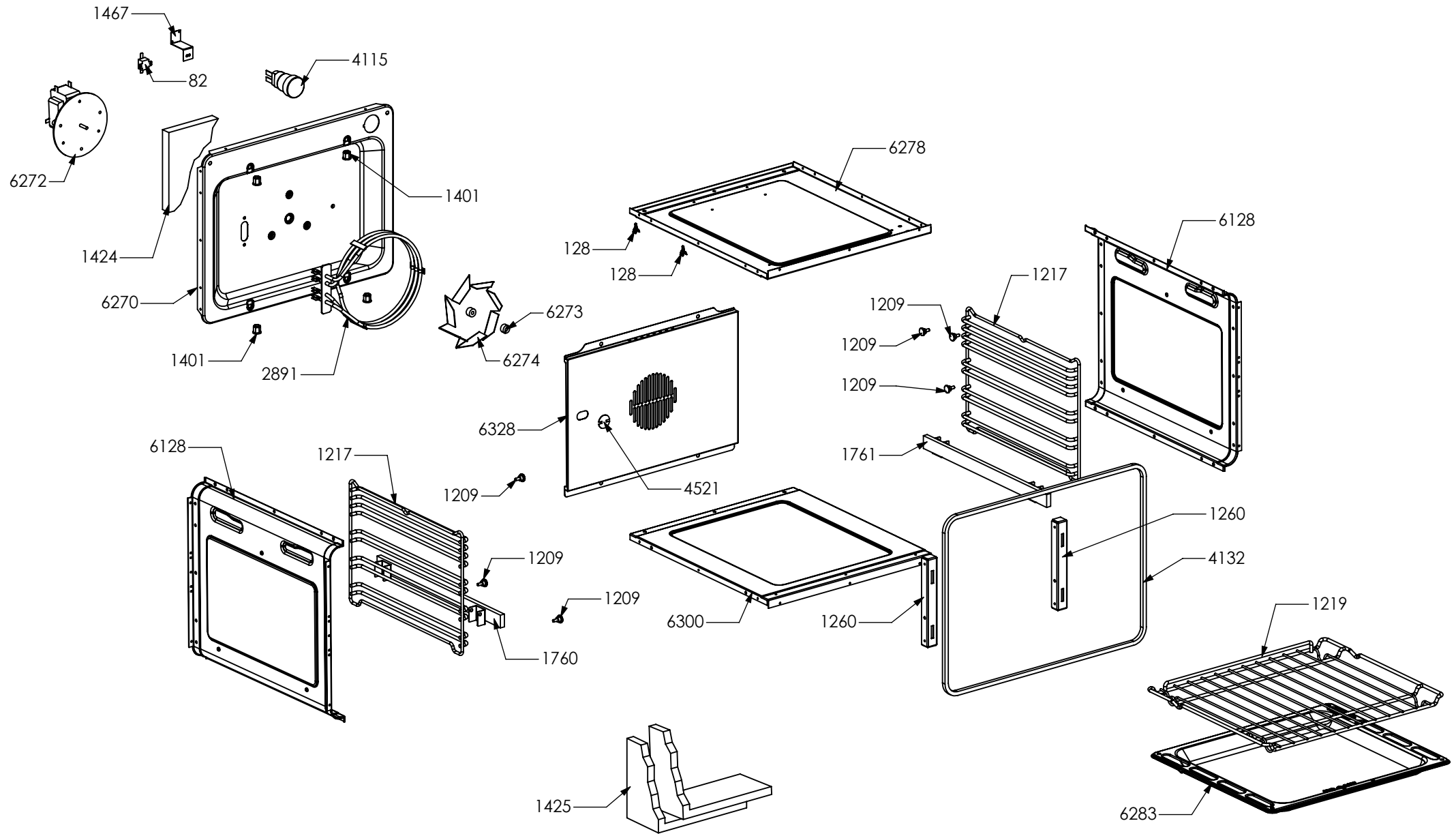
N° Object	Code	Description	Qty	N° Object	Code	Description	Qty
20	401520	Black cap for glass front panel	2	4169	ZS6686	Muffle fan guard cooker 100 double/Triple oven Steam	1
98	481913	Terminal block for oven 32 PA 233	1	6199	ZP0348	Air conveyor for cooktop 100 double / triple oven	1
123	541011	Spacer washer for built-in oven	4	6200	ZP0349	Air conveyor for cooktop SX	1
392	ZS0903	Sintesi black foot H.15	4	6201	ZP0350	Air conveyor for cooktop DX	1
1291	ZS2437	Lower guard for cooker 100 triple cavity 04	1				
1292	ZS2438	Reinforcement for lower guard cooker 100 04	2				
1293	GR2439	Assembly complete lower reinforcement right/left side cooker 100TC/70 DC	2				
130	601156	Tapping screw M10 galvanized	4				
1296	ZS2442	Rear central support for muffle 60 DC	1				
1297	ZS2443	Rear central support for muffle 30	1				
1298	ZS2444	Rear support for muffle left side oven 60 cooker 100 triple oven	1				
1299	ZS2445	Front support for muffle left side oven 60 cooker 100 triple oven	1				
1317	ZS2475	Front support for muffle left/right side 100/120 double/triple oven cooker	1				
1318	ZS2477	Rear support for muffle left/right side cooker 100 double/triple oven	1				
1414	ZS2601	Terminal board support	1				
1439	ZS2663	Cooling fan L=180 Plaset (AU)	2				
1459	ZS2446	Left side drawer compartment for cooker 100 triple oven	1				
1460	ZS2447	Right side drawer compartment for cooker 100 triple oven	1				
1461	ZS2448	Drawer upper guard for cooker 100 triple oven	1				
1466	ZS2501	Front central muffle support for cooker 100 triple oven	1				
1477	ZS2794	Reinforcement for lower guard cooker 100 triple oven 04	2				
1606	ZS2995	Fixing spring for front profile	16				
1757	ZS3016	Complete lower right side panel	1				
1758	ZS3018	Complete lower left side panel	1				
2209	ZS3811	Plinth for cooker 100 triple oven Neff	1				
3390	ZS5497	Ramp hole closing plate	1				
3465	ZS5614	Rear guard for cooker 100 triple oven extended 62.5 06	1				
4167	ZS6684	Spacer for drawer guide	2				



N° Object	Code	Description	Qty
82	481403	Thermoswitch 16 Ampere	1
128	601152	Spring fixing feeler for built-in oven	2
566	ZS7590	Lower heating element for oven 60 (1200W/230V)	1
1209	414559	Lateral frame support for built-in oven	6
1218	ZS2284	Oven lateral frame 60 R/L	2
1219	ZS2286	Chromed wire grid for oven 60	1
1260	ZS2395	Hinge support 06	2
1305	ZS2456	Lower heating elem.support oven 60 double oven 04	1
1306	ZS2459	Lower heating element tray oven 60 04	1
1307	ZS2460	White glass wool for rear side grilling 60 oven	1
1320	ZS2489	Trivet for oven 60 04	1
1425	ZS2632	White glass wool for 60 oven 04	1
1467	ZS2604	Support for safety thermostat 04	1
1760	ZS3078	Telescopic liner left	1
1761	ZS3079	Telescopic liner right	1
1832	482094	Grill heating element for oven 60 (1900+850W)	1
3937	ZS6339	Ceramic tiles for oven	1
4115	ZS6631	Complete Lamp-holder for oven (max 25 W)	1
4131	ZS6540	Gasket grilling oven 60 P H=8.9 mat HT	1
6278	ZC0349	Enamelled muffle ceiling oven 60 grey	1
6279	ZC0352	Enamelled muffle front side oven 60 DC grey	1
6283	ZC0356	Enamelled drip tray for oven 60 grey	1
6285	ZC0358	Side muffle oven 60 P enamelled grey	2
6287	ZC0362	Muffle rear side oven 60 P enamelled grey	1
6288	ZC0366	Grill heating element support for muffle oven 60 enamelled grey	1
6300	ZC0360	Enamelled muffle bottom for oven 60 grey	1

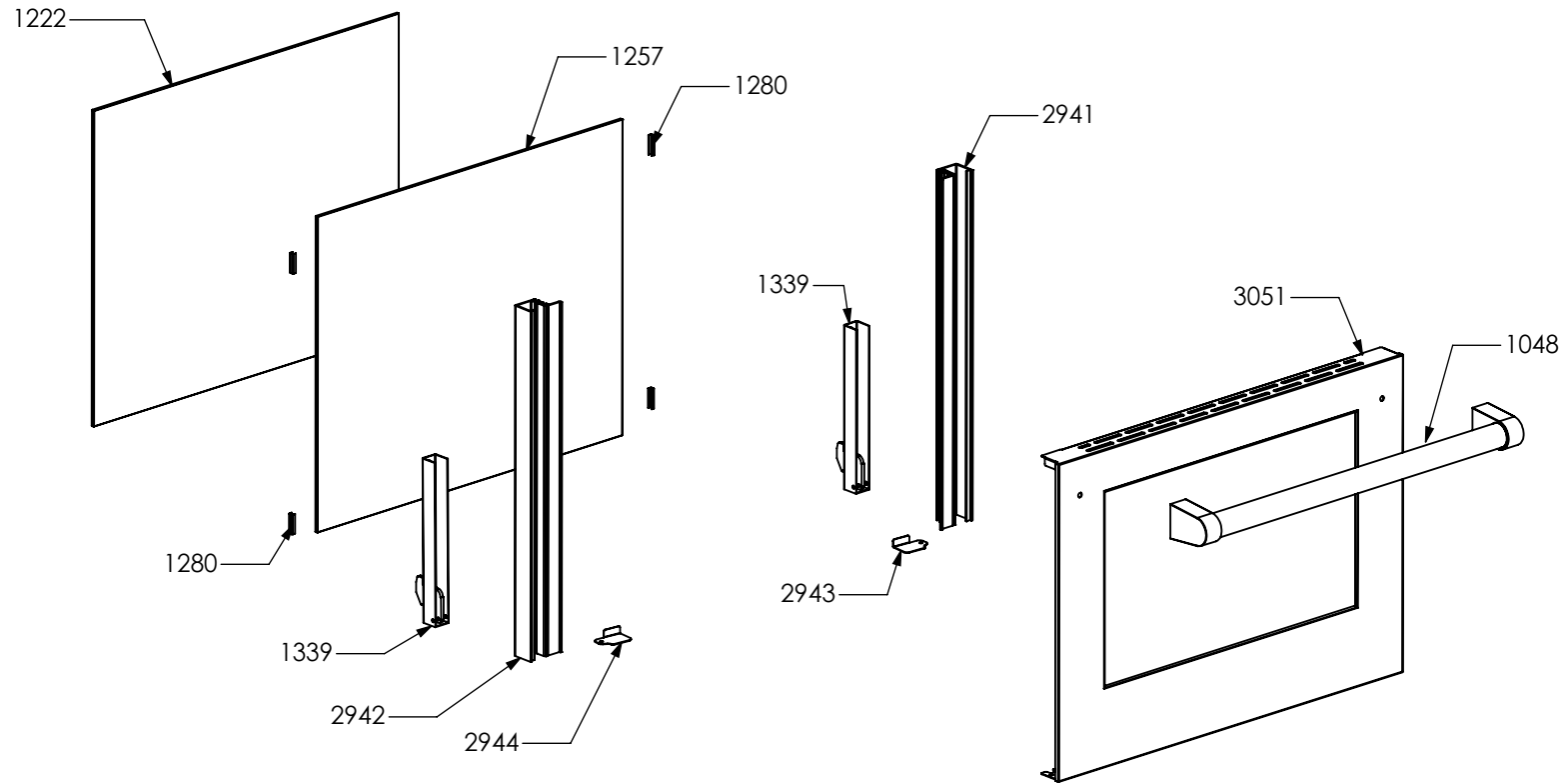


N° Object	Code	Description	Qty
3897	GR6416	Assembly glued oven door 60 P/100 triple oven S.Steel Ascot	1
2939	GR4315	Assembly door grilling oven 60 right bar profile 07	1
2940	GR4316	Assembly door grilling oven 60 left bar profile 07	1
1048	ZS2130	Door oven handle for oven 60 chromed SLT cooker 100	1
1223	ZS2310	Inner glass oven door 60 P	1
1258	ZS2392	In-between glass oven door 60 P 04	1
1278	ZS2415	Door hinge for grilling oven 60	2
1280	ZS2419	Spring for door glass assembling 04	4
2943	ZS4746	Right support for inner glass	1
2944	ZS4747	Left support for inner glass	1
3052	ZS5116	Glued external grilling oven door 60/100 triple oven	1

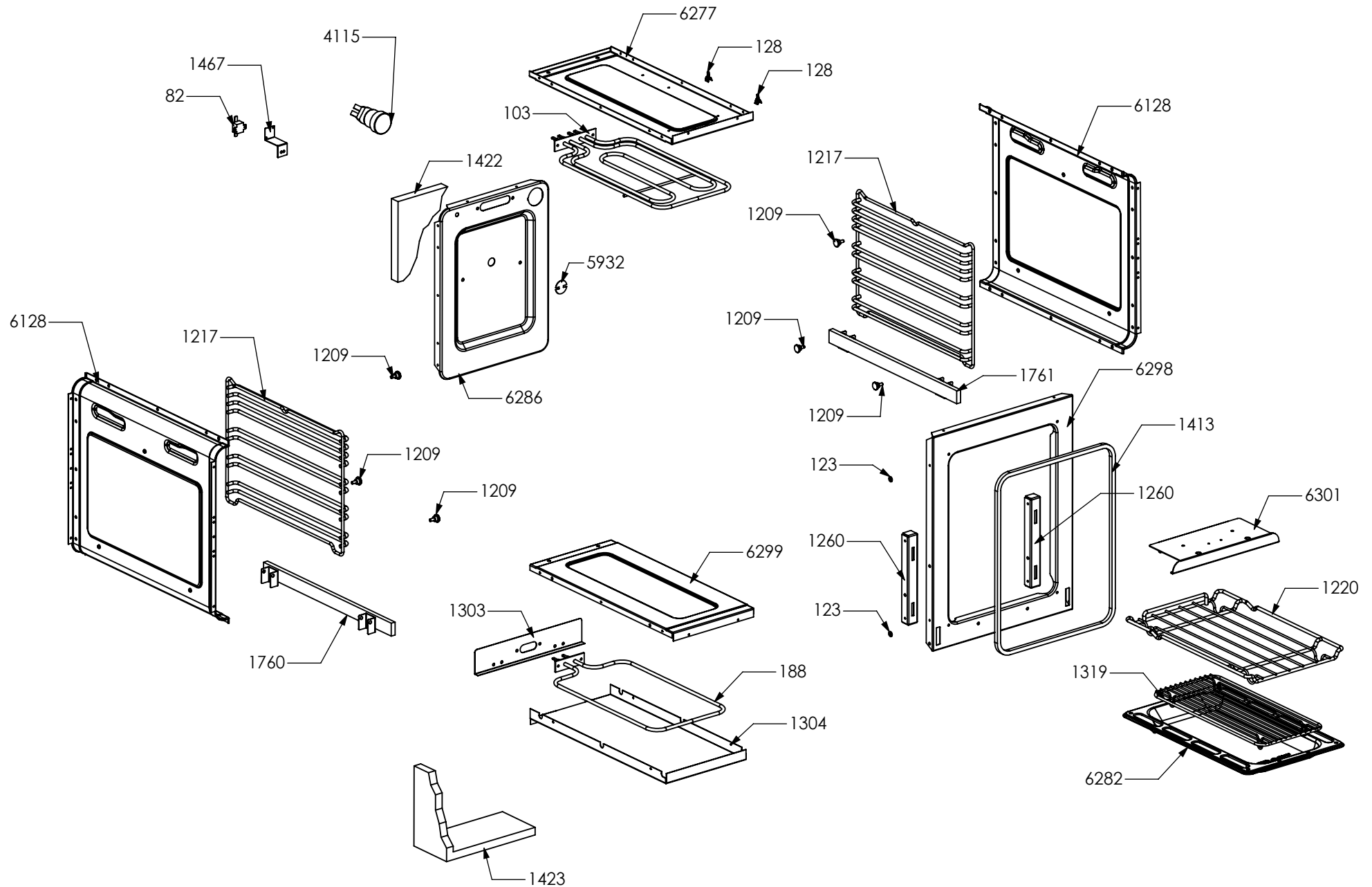


N° Object	Code	Description	Qty
82	481403	Thermoswitch 16 Ampere	1
128	601152	Spring fixing feeler for built-in oven	2
1209	414559	Lateral frame support for built-in oven	6
1217	ZS2283	Oven lateral frame 30/60/90	2
1219	ZS2286	Chromed wire grid for oven 60	1
1260	ZS2395	Hinge support 06	2
1424	ZS2629	White glass wool for rear side 60 oven 04	1
1425	ZS2632	White glass wool for 60 oven 04	2
1467	ZS2604	Support for safety thermostat 04	1
1760	ZS3078	Telescopic liner left	1
1761	ZS3079	Telescopic liner right	1
2891	482589	Circular heating element 230V-2100W	1
4115	ZS6631	Complete Lamp-holder for oven (max 25 W)	1
4132	ZS6541	Gasket oven 60 H=8.9 mat HT	1
4521	ZS7088	Turnspit hole cap	1
6128	ZC0296	Side muffle oven 30/60/90 enamelled 04 grey	2
6270	GP0195	Assembly rear muffle oven 60/100 TC enamelled grey	1
1401	ZS2585	Tapping screw M5 aluminium	4
6272	ZA0488	Circular tangential oven 90 fan without fan and nut	1
6273	ZA0489	Nut for circular tangential oven	1
6274	ZA0490	Fan for circular tangential oven	1
6278	ZC0349	Enamelled muffle ceiling oven 60 grey	1
6283	ZC0356	Enamelled drip tray for oven 60 grey	1
6300	ZC0360	Enamelled muffle bottom for oven 60 grey	1
6328	ZC0350	Fan cover for oven 60 with turnspit hole grey	1

3896

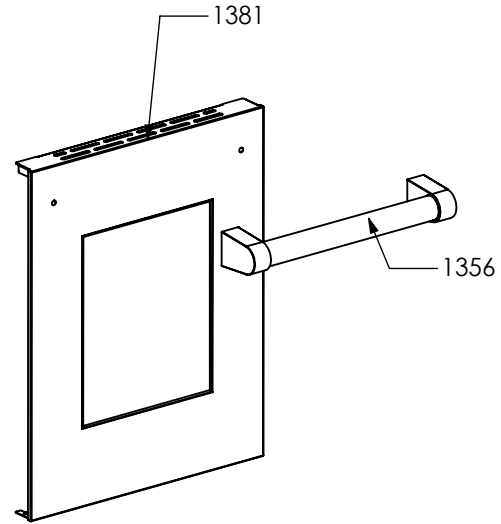
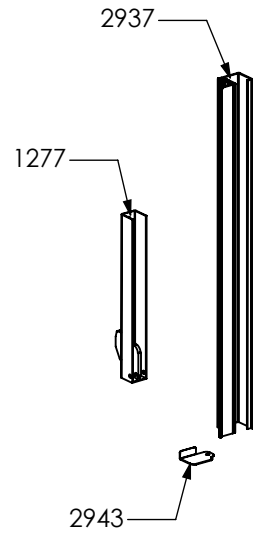
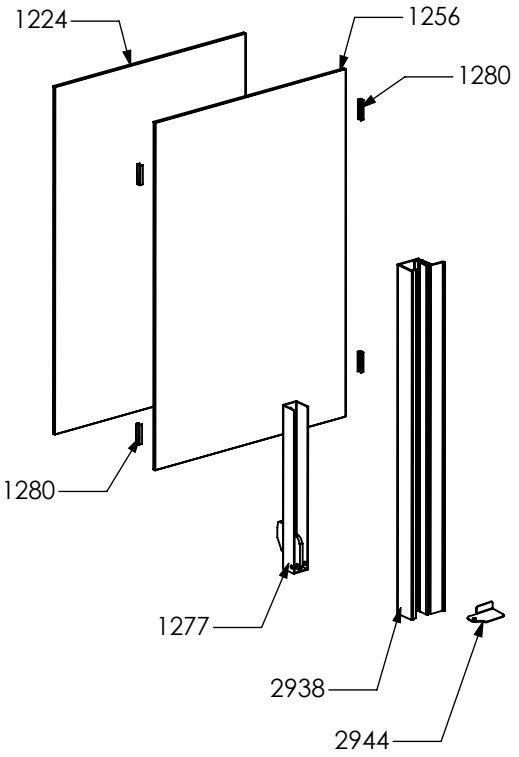


N° Object	Code	Description	Qty
3896	GR6415	Assembly glued oven door 60 G/100 triple oven S.Steel	1
2941	GR4317	Assembly door 60 right bar profile 07	1
2942	GR4318	Assembly door 60 left bar profile 07	1
1048	ZS2130	Door oven handle for oven 60 chromed SLT cooker 100	1
1222	ZS2309	Inner glass oven door 60 G	1
1257	ZS2391	In-between glass oven door 60 G 04	1
1339	ZS2416	Door hinge for multifunction oven 60	2
1280	ZS2419	Spring for door glass assembling 04	4
2943	ZS4746	Right support for inner glass	1
2944	ZS4747	Left support for inner glass	1
3051	ZS5115	Glued external oven door 60 G/100 triple oven	1

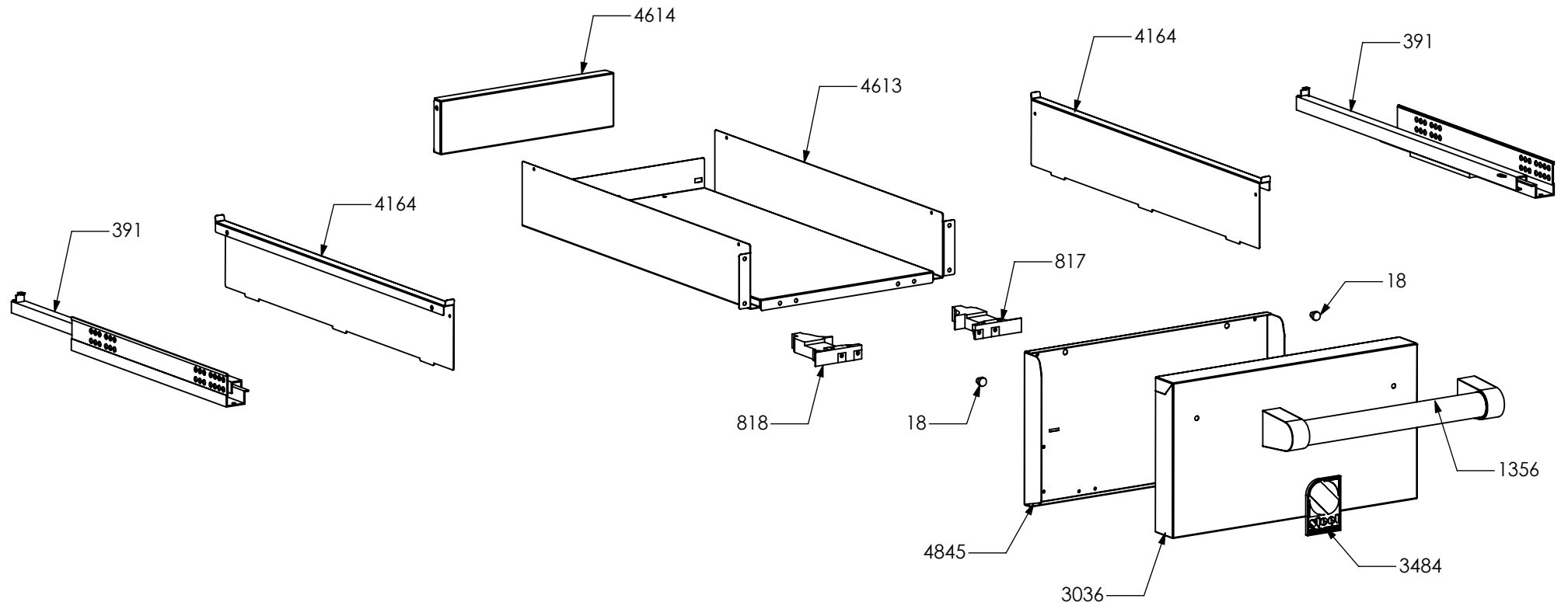


N° Object	Code	Description	Qty
82	481403	Thermoswitch 16 Ampere	1
103	482072	Upper heating element cooker	1
123	541011	Spacer washer for built-in oven	2
128	601152	Spring fixing feeler for built-in oven	2
188	ZS7653	Lower heating element for oven 30	1
1209	414559	Lateral frame support for built-in oven	6
1217	ZS2283	Oven lateral frame 30/60/90	2
1220	ZS2287	Chromed wire grid for oven 30	1
1260	ZS2395	Hinge support 06	2
1303	ZS2454	Lower heating elem.support oven 30 04	1
1304	ZS2455	Lower heating element tray oven 30 04	1
1319	ZS2488	Trivet for oven 30 04	1
1413	ZS2599	Gasket oven 30 04	1
1422	ZS2627	White glass wool for rear side 30 oven 04	1
1423	ZS2628	White glass wool for 30 oven 04	1
1467	ZS2604	Support for safety thermostat 04	1
1760	ZS3078	Telescopic liner left	1
1761	ZS3079	Telescopic liner right	1
4115	ZS6631	Complete Lamp-holder for oven (max 25 W)	1
5932	ZP0119	Turnspit hole cap	1
6128	ZC0296	Side muffle oven 30/60/90 enamelled 04 grey	2
6277	ZC0348	Enamelled muffle ceiling oven 30 grey	1
6282	ZC0355	Enamelled drip tray for oven 30 grey	1
6286	ZC0361	Muffle rear side oven 30 enamelled grey	1
6298	ZC0351	Enamelled muffle front side oven 30 grey	1
6299	ZC0359	Enamelled muffle bottom for oven 30 grey	1
6301	ZC0365	Grill heating element support for muffle oven 30 enamelled grey	1

2599



N° Object	Code	Description	Qty
2599	GR2546	Assembly glued oven door 30	1
2937	GR4313	Assembly door 30/60/90 right bar profile 07	1
2938	GR4314	Assembly door 30/60/90 left bar profile 07	1
1224	ZS2311	Inner glass oven door 30	1
1256	ZS2390	In-between glass oven door 30 04	1
1277	ZS2414	Door hinge for oven 60 G	2
1280	ZS2419	Spring for door glass assembling 04	4
1356	ZS2507	Door oven handle for oven 30 chromed SLT	1
1381	ZS2546	Glued external oven door 30 KL	1
2943	ZS4746	Right support for inner glass	1
2944	ZS4747	Left support for inner glass	1



N° Object	Code	Description	Qty
18	400006	Protection door	2
391	ZS0899	Couple legobox rails partial opening	1
817	ZS0458	Drawer right regulation clip	1
818	ZS0459	Drawer left regulation clip	1
1356	ZS2507	Door oven handle for oven 30 chromed SLT	1
3036	ZS4819	Drawer door cooker 100 triple oven 04	1
3484	ZS5647	"Steel - Stile in cucina" plate	1
4164	ZS6681	Drawer lateral side for cooker S.Steel	2
4613	ZS6837	Bottom drawer for cooker 100 triple oven S.Steel	1
4614	ZS6838	Drawer rear side for cooker 100 triple oven S.Steel	1
4845	ZS7531	Counterdoor drawer cooker 100 TC pull	1

N° Object	Code	Description	Qty
132	ZS5148	Adhesive tape 16,5 m x 19h (3M)	80
725	601108	Anti-overturning device	0,3
1210	ZS5149	Adhesive tape 33 mt x 17h mm x th 0,6 mm (3M 4930)	40
1329	ZS5150	Adhesive tape 33 mt x 25h mm x Th 1.55 mm (3M)	18000
2430	ZS2996	Wire protection d.3,5 vetrotex white	0,8
3737	ZS2675	Wiring oven 30 NF	1
5050	ZS7813	Instruction booklet Top/Cooker Multilanguage	1
6117	ZA0635	Wiring diagram for cooker S10FFF-6I	1