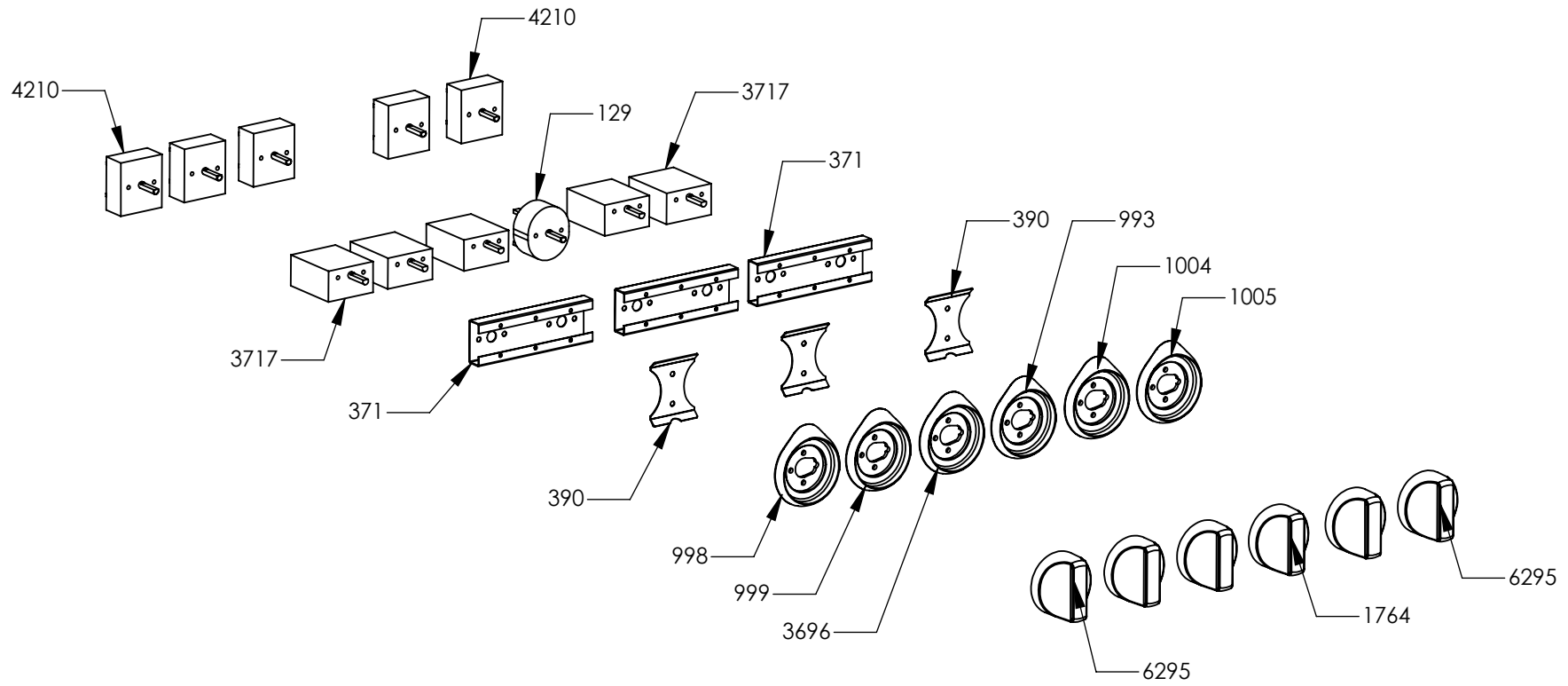
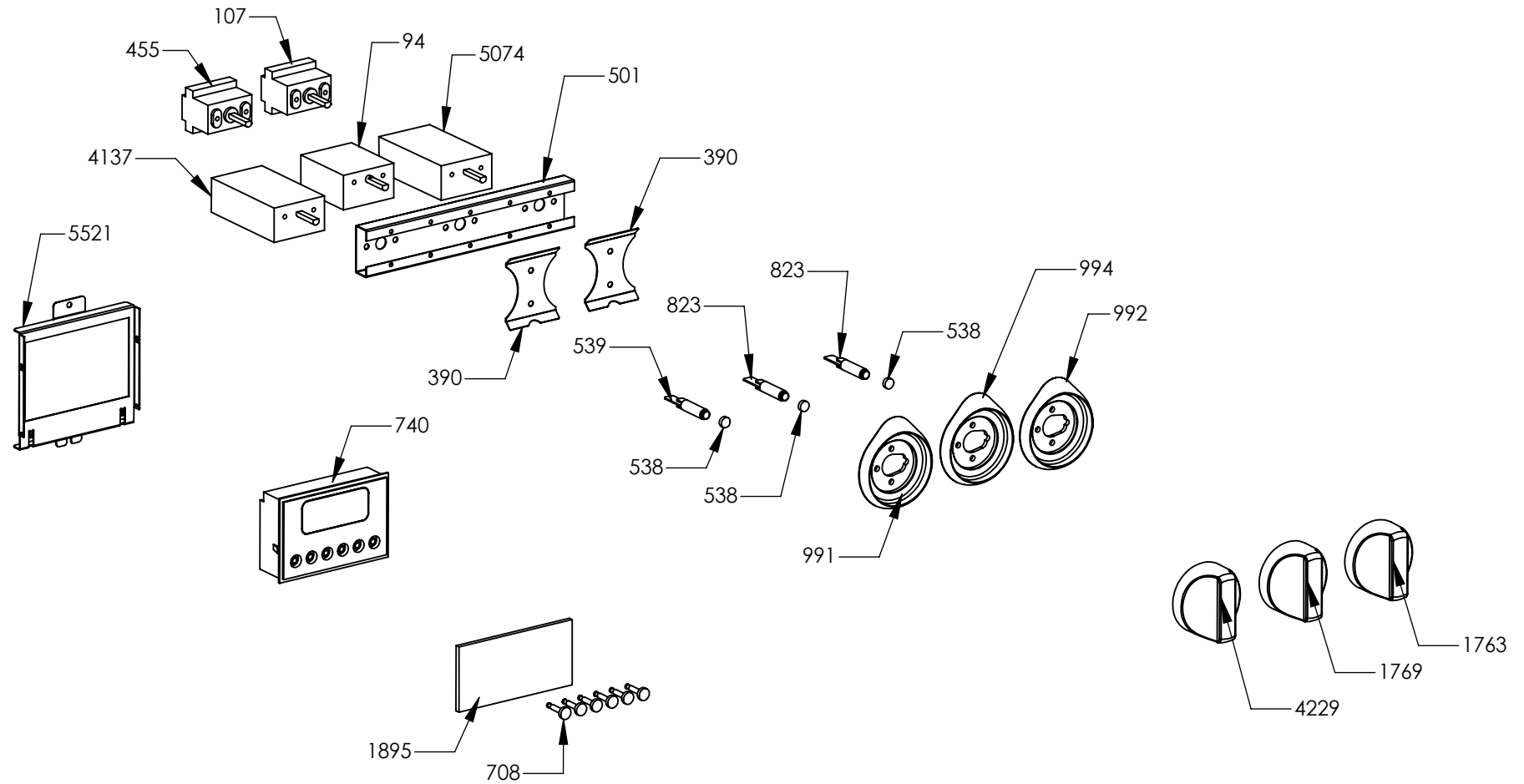


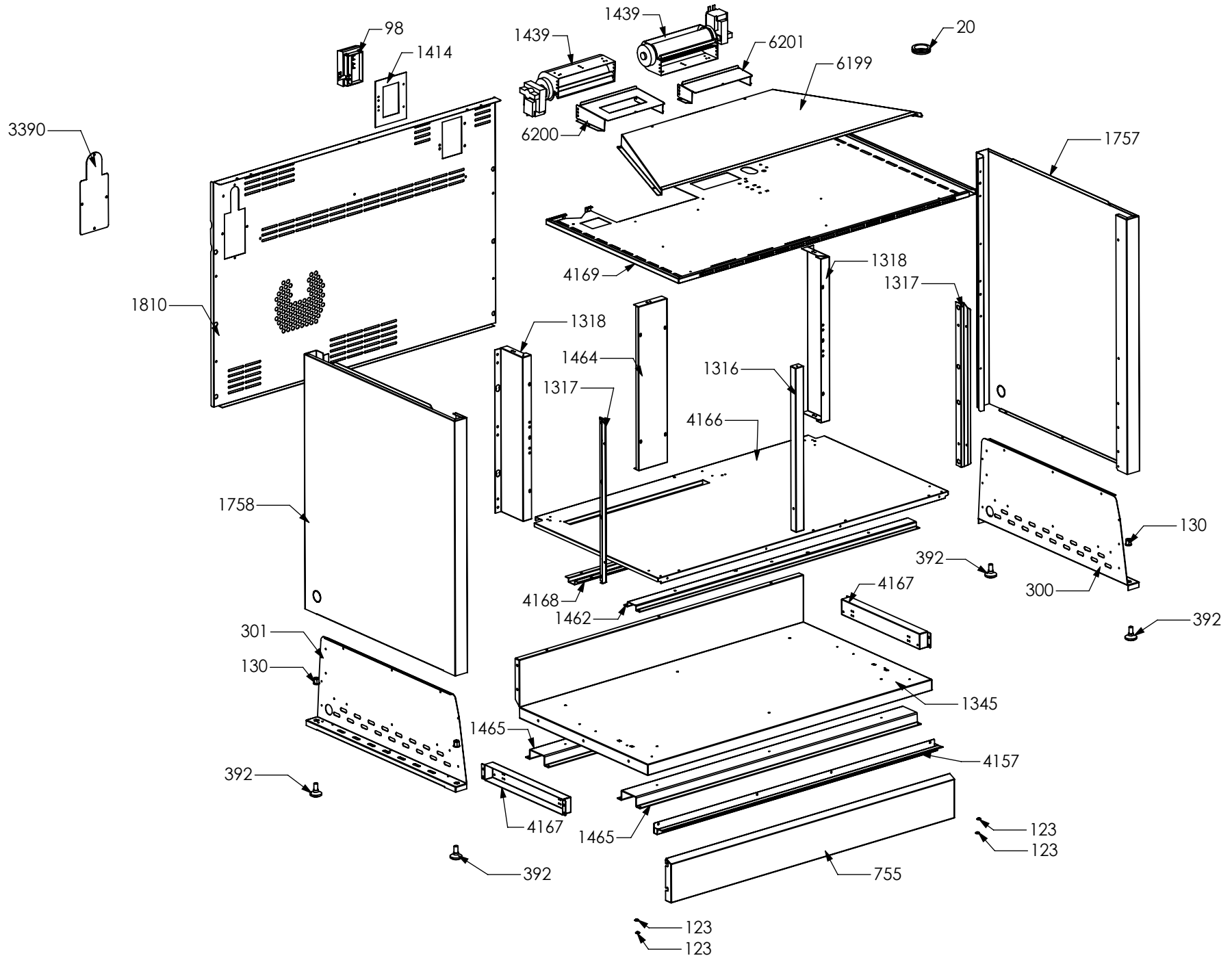
| N° Object | Code | Description | Qty |
|-----------|--------|---|-----|
| 1014 | ZS2026 | Thermostat TY60 N.O. fixing B | 2 |
| 1606 | ZS2995 | Fixing spring for front profile | 16 |
| 4266 | ZS6787 | Encoders control board | 1 |
| 5776 | ZS3932 | Rear side closing 100 cooker | 1 |
| 5783 | ZS6817 | Feet for electronic components EGO | 3 |
| 5784 | ZS6904 | Cover for induction terminal board | 1 |
| 5785 | ZS6905 | Bridge for induction terminal board | 1 |
| 5842 | ZS8867 | Rear side closing 090/100/120 cooker inside | 1 |
| 6036 | ZS8446 | Clamp support for induction 90/100 Sintesi front / rear | 2 |
| 6038 | ZS8877 | Support for electronic control induction element | 1 |
| 6071 | ZA0469 | Induction 5 element OCTA EGO 75.08016.610 | 1 |
| 6092 | GP0199 | Assembly cooktop cooker 100 double oven induction OCTA | 1 |
| 6070 | ZA0468 | Glass for 100 induction hob or cooker | 1 |
| 6209 | ZP0404 | Upper lateral panel right side | 1 |
| 6210 | ZP0406 | Upper lateral panel left side | 1 |
| 1023 | ZS2093 | Sintesi upper right side clamp 62.5 extended | 1 |
| 1024 | ZS2094 | Sintesi upper left side clamp 62.5 extended | 1 |
| 1441 | ZS2665 | Support for fan timelag device | 1 |
| 1612 | ZS3020 | Support for connection top-base | 2 |
| 5503 | ZS6140 | Display support | 1 |
| 6215 | ZP0425 | Support for fan timelag device | 1 |



| N° Object | Code | Description | Qty |
|-----------|--------|---|-----|
| 129 | 601154 | Timer | 1 |
| 371 | ZS0802 | Commutator support 2 positions | 3 |
| 390 | ZS0890 | Spring for el. controls support | 3 |
| 993 | ZS1641 | Bezel for timer knob 58, bright chrome | 1 |
| 998 | ZS1646 | Bezel for front left burner knob 58, bright chromed | 1 |
| 999 | ZS1647 | Bezel for rear left burner knob 58, bright chromed | 1 |
| 1004 | ZS1652 | Bezel for front right burner knob 58, bright chromed | 1 |
| 1005 | ZS1653 | Bezel for rear right burner knob 58, bright chromed | 1 |
| 1764 | ZS3153 | Knob 58 timer SLT | 1 |
| 3696 | ZS5955 | Bezel for central external burner knob 58, bright chromed | 1 |
| 3717 | ZS6026 | Switch for induction encoder | 5 |
| 4210 | ZS5377 | Energy regulator for induction 230 V EGO EU | 5 |
| 6295 | ZA0728 | Knob 58 induction element SLT | 5 |

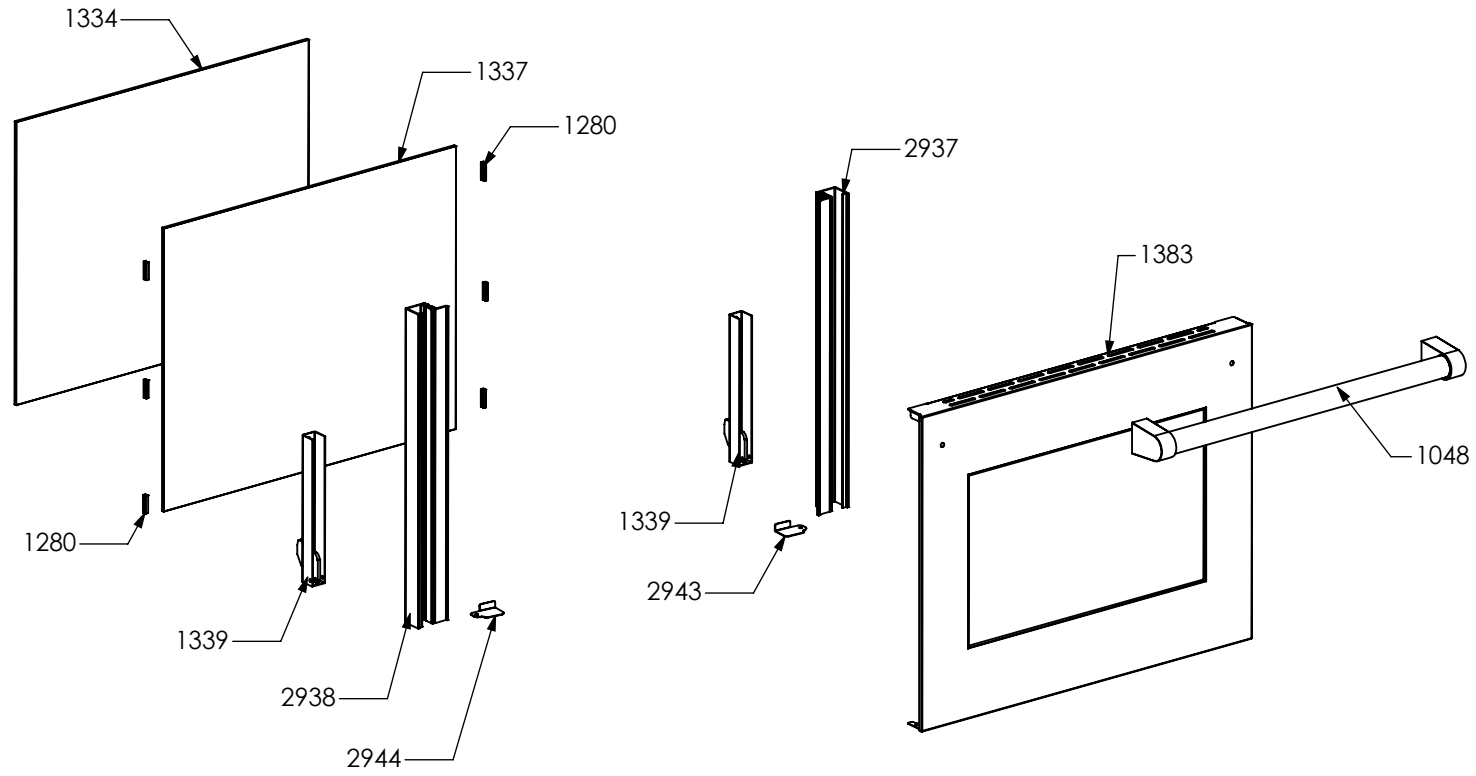


| N° Object | Code | Description | Qty |
|-----------|--------|---|-----|
| 94 | 481814 | Commutator multif. for 90 built-in oven(no pizza) | 1 |
| 107 | 482120 | Thermostat cooker 192 | 1 |
| 390 | ZS0890 | Spring for el. controls support | 2 |
| 455 | ZS1075 | Oven thermostat | 1 |
| 501 | ZS1136 | Commutator support 3 positions | 1 |
| 538 | ZS1204 | Led transparent | 3 |
| 539 | ZS1205 | Fluorescent green warning light | 1 |
| 708 | ZS1916 | Knob for timer steel-colour 988 | 6 |
| 740 | ZS1747 | Timer (blue led) 50 Hz | 1 |
| 823 | ZS1755 | Fluorescent orange warning light | 2 |
| 991 | ZS1639 | Bezel for main oven functions knob 58, bright chromed | 1 |
| 992 | ZS1640 | Bezel for 30 oven functions knob 58, bright chromed | 1 |
| 994 | ZS1642 | Bezel for oven temperature knob 58, bright chrome | 1 |
| 1763 | ZS3152 | Knob 58 oven 30 functions SLT | 1 |
| 1769 | ZS3158 | Knob 58 for oven temperature SLT | 1 |
| 1895 | ZS3652 | Glass lcd 6 button no hole | 1 |
| 4137 | ZS6655 | Steam oven functions switch | 1 |
| 4229 | ZS6321 | Knob 58 main oven steam functions SLT | 1 |
| 5074 | ZS7893 | Commutator oven functions 060 R | 1 |
| 5521 | ZS6139 | Electrical display support | 1 |

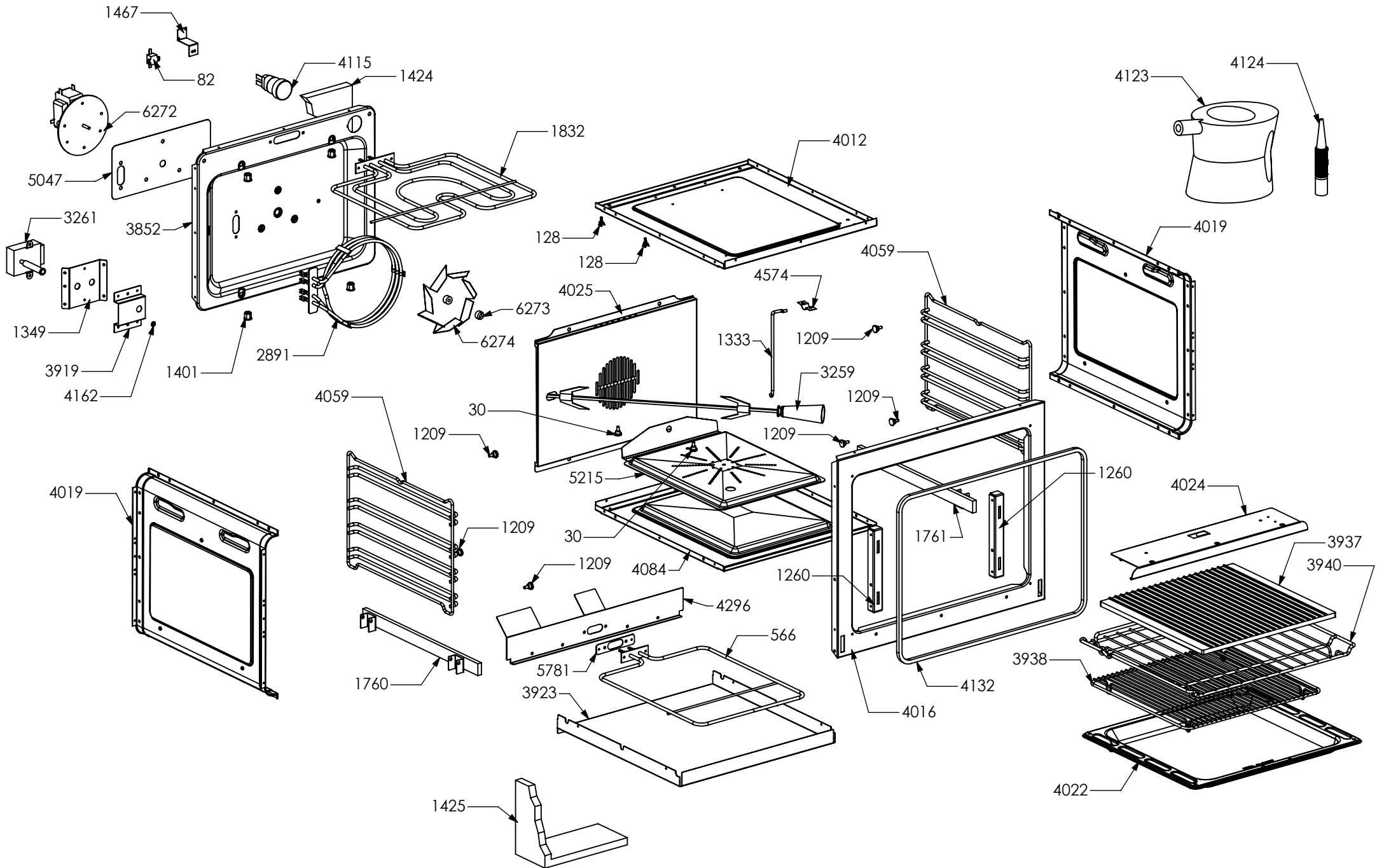


| N° Object | Code | Description | Qty | N° Object | Code | Description | Qty |
|-----------|--------|--|-----|-----------|--------|-----------------------------|-----|
| 20 | 401520 | Black cap for glass front panel | 2 | 6200 | ZP0349 | Air conveyor for cooktop SX | 1 |
| 98 | 481913 | Terminal block for oven 32 PA 233 | 1 | 6201 | ZP0350 | Air conveyor for cooktop DX | 1 |
| 123 | 541011 | Spacer washer for built-in oven | 4 | | | | |
| 300 | GR0591 | Assembly complete lower reinforcement right side | 1 | | | | |
| 130 | 601156 | Tapping screw M10 galvanized | 2 | | | | |
| 301 | GR0592 | Assembly complete lower reinforcement left side | 1 | | | | |
| 130 | 601156 | Tapping screw M10 galvanized | 2 | | | | |
| 392 | ZS0903 | Sintesi black foot H.15 | 4 | | | | |
| 755 | ZS1917 | Plinth for cooker 100 double oven | 1 | | | | |
| 1316 | ZS2474 | Front central muffle support cooker 100/120 double oven | 1 | | | | |
| 1317 | ZS2475 | Front support for muffle left/right side 100/120 double/triple oven cooker | 2 | | | | |
| 1318 | ZS2477 | Rear support for muffle left/right side cooker 100 double/triple oven | 2 | | | | |
| 1345 | ZS2479 | Lower guard for cooker 100 double oven 04 | 1 | | | | |
| 1414 | ZS2601 | Terminal board support | 1 | | | | |
| 1439 | ZS2663 | Cooling fan L=180 Plaset (AU) | 2 | | | | |
| 1462 | ZS2472 | Reinforcement for ceiling drawer cooker 100 double oven 04 | 1 | | | | |
| 1464 | ZS2476 | Rear central support for muffle cooker 100 double oven | 1 | | | | |
| 1465 | ZS2478 | Reinforcement for lower guard cooker 100 double oven 04 | 2 | | | | |
| 1757 | ZS3016 | Complete lower right side panel | 1 | | | | |
| 1758 | ZS3018 | Complete lower left side panel | 1 | | | | |
| 1810 | ZS3385 | Rear guard for cooker 100 double oven extended 62.5 06 | 1 | | | | |
| 3390 | ZS5497 | Ramp hole closing plate | 1 | | | | |
| 4157 | ZS6628 | Bracket condensate collection for 100 DC Steam | 1 | | | | |
| 4166 | ZS6683 | Drawer upper guard for cooker 100 double oven Steam | 1 | | | | |
| 4167 | ZS6684 | Spacer for drawer guide | 2 | | | | |
| 4168 | ZS6685 | Reinforcement for ceiling drawer cooker 100 SF double oven 04 | 1 | | | | |
| 4169 | ZS6686 | Muffle fan guard cooker 100 double/Triple oven Steam | 1 | | | | |
| 6199 | ZP0348 | Air conveyor for cooktop 100 double / triple oven | 1 | | | | |

2601

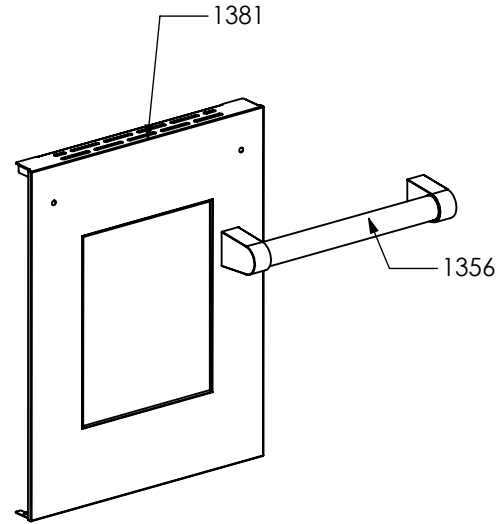
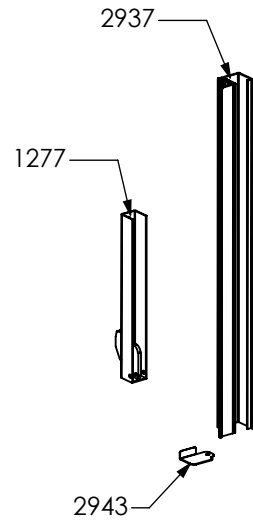
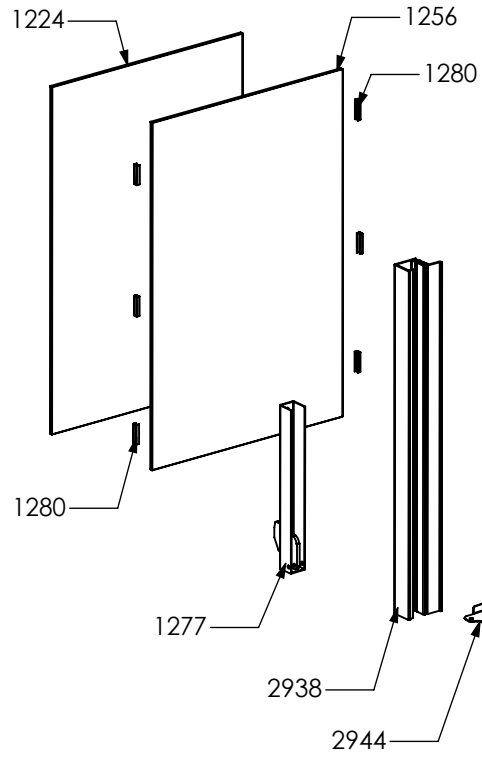


| N° Object | Code | Description | Qty |
|-----------|--------|---|-----|
| 2601 | GR2550 | Assembly glued oven door 60/100 double oven | 1 |
| 2937 | GR4313 | Assembly door 30/60/90 right bar profile 07 | 1 |
| 2938 | GR4314 | Assembly door 30/60/90 left bar profile 07 | 1 |
| 1048 | ZS2130 | Door oven handle for oven 60 chromed SLT cooker 100 | 1 |
| 1334 | ZS2308 | Inner glass oven door 60 | 1 |
| 1337 | ZS2393 | In-between glass oven door 60 04 | 1 |
| 1339 | ZS2416 | Door hinge for multifunction oven 60 | 2 |
| 1280 | ZS2419 | Spring for door glass assembling 04 | 6 |
| 1383 | ZS2550 | Glued external oven door 60/100 double oven | 1 |
| 2943 | ZS4746 | Right support for inner glass | 1 |
| 2944 | ZS4747 | Left support for inner glass | 1 |

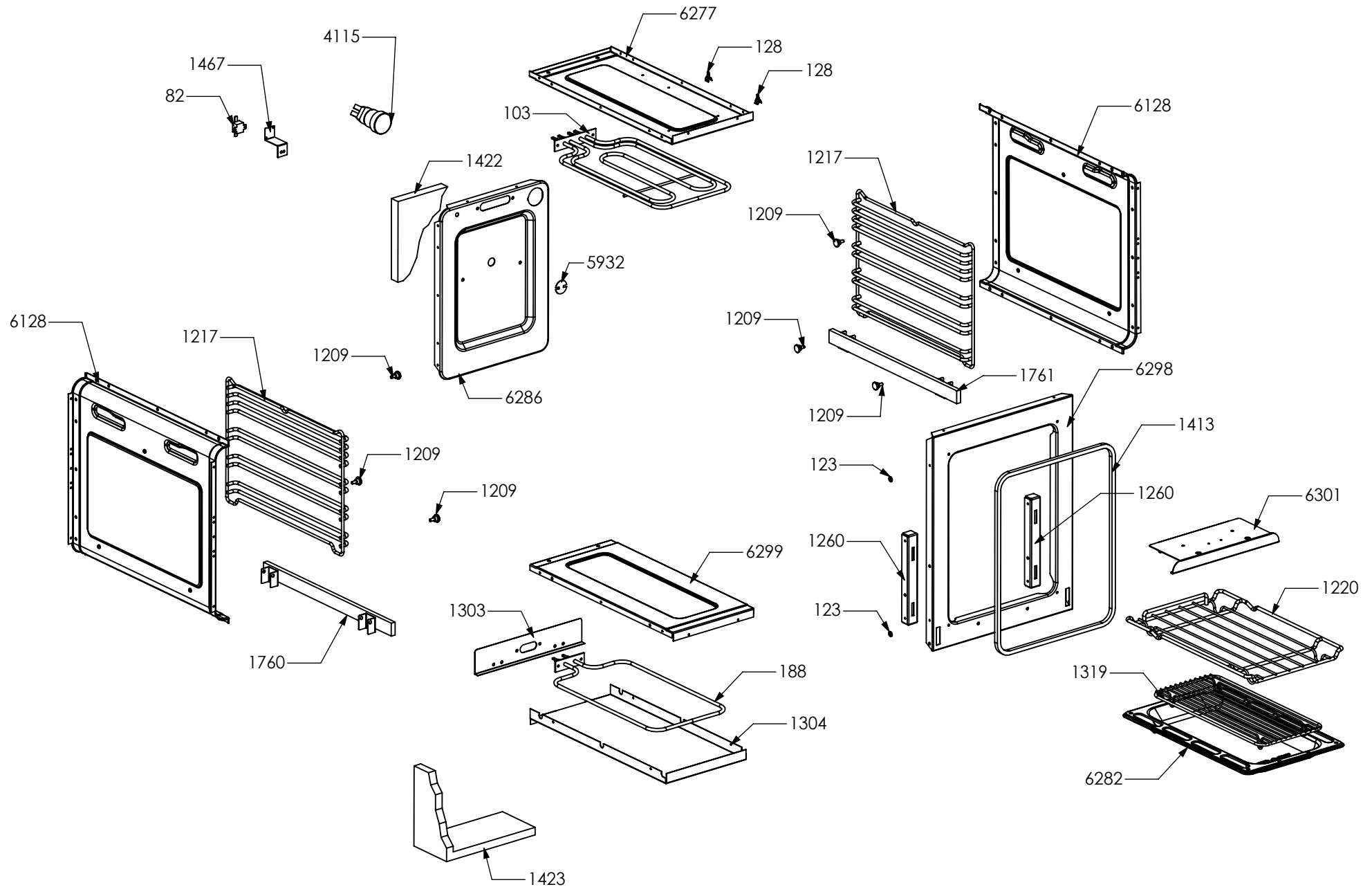


| N° Object | Code | Description | Qty | N° Object | Code | Description | Qty |
|-----------|--------|--|-----|-----------|--------|--|-----|
| 30 | 411213 | Lateral frame support for built-in oven | 2 | 4024 | ZS6246 | Grill heating element support for muffle oven 60 S.Steel | 1 |
| 82 | 481403 | Thermoswitch 16 Ampere | 1 | 4025 | ZS6247 | Fan cover for oven 60 with turnspit hole S.STEEL | 1 |
| 128 | 601152 | Spring fixing feeler for built-in oven | 2 | 4059 | ZS6034 | Oven lateral frame 30/60/90 S.Steel | 2 |
| 566 | ZS7590 | Lower heating element for oven 60 (1200W/230V) | 1 | 4084 | ZS6542 | Complete muffle bottom for oven 60 S.Steel Steam | 1 |
| 1209 | 414559 | Lateral frame support for built-in oven | 6 | 4115 | ZS6631 | Complete Lamp-holder for oven (max 25 W) | 1 |
| 1260 | ZS2395 | Hinge support 06 | 2 | 4123 | ZS6653 | Carafe graduate 0.5 | 1 |
| 1333 | ZS2289 | Support for grillrod 60/90 | 1 | 4124 | ZS6654 | Steam flexible pipe | 1 |
| 1349 | ZS2499 | Fixing support for turnspit motor oven 60/90 | 1 | 4132 | ZS6541 | Gasket oven 60 H=8.9 mat HT | 1 |
| 1424 | ZS2629 | White glass wool for rear side 60 oven 04 | 1 | 4162 | ZS6679 | O-ring 3021 viton | 1 |
| 1425 | ZS2632 | White glass wool for 60 oven 04 | 1 | 4296 | ZS9953 | Lower heating elem.support oven 60 | 1 |
| 1467 | ZS2604 | Support for safety thermostat 04 | 1 | 4574 | ZS6005 | Fixing support for turnspit motor oven 60/90 | 1 |
| 1760 | ZS3078 | Telescopic liner left | 1 | 5047 | ZS7807 | Reinforce fan cover for oven 90 with turnspit hole S.STEEL | 1 |
| 1761 | ZS3079 | Telescopic liner right | 1 | 5215 | ZS8228 | Steam generator cover 60 | 1 |
| 1832 | 482094 | Grill heating element for oven 60 (1900+850W) | 1 | 5781 | ZS6558 | Adapter for lower heating elements | 1 |
| 2891 | 482589 | Circular heating element 230V-2100W | 1 | 6272 | ZA0488 | Circular tangential oven 90 fan without fan and nut | 1 |
| 3259 | ZS5174 | Turnspit for oven 60 (4 forks + handle) - 04 | 1 | 6273 | ZA0489 | Nut for circular tangential oven | 1 |
| 3261 | ZS5236 | Turnspit motor reducer 50/60 Hz | 1 | 6274 | ZA0490 | Fan for circular tangential oven | 1 |
| 3852 | GR6224 | Assembly rear muffle oven 60 S.Steel TDL | 1 | | | | |
| 1401 | ZS2585 | Tapping screw M5 aluminium | 4 | | | | |
| 3919 | ZS6002 | Reinforce for fixing support for turnspit motor oven 60/90 | 1 | | | | |
| 3923 | ZS6193 | Lower heating element tray oven 60 04 | 1 | | | | |
| 3937 | ZS6339 | Ceramic tiles for oven | 1 | | | | |
| 3938 | ZS6340 | S.steel Trivet for oven 60 | 1 | | | | |
| 3940 | ZS6342 | S.steel wire grid for oven 60 | 1 | | | | |
| 4012 | ZS6215 | Stainless Steel muffle ceiling oven 60 | 1 | | | | |
| 4016 | ZS6219 | S.Steel muffle front side oven 60 | 1 | | | | |
| 4019 | ZS6222 | Side muffle oven 30/60/90 S.Steel TDL | 2 | | | | |
| 4022 | ZS7594 | Drip tray for oven 60 S.Steel TDL | 1 | | | | |

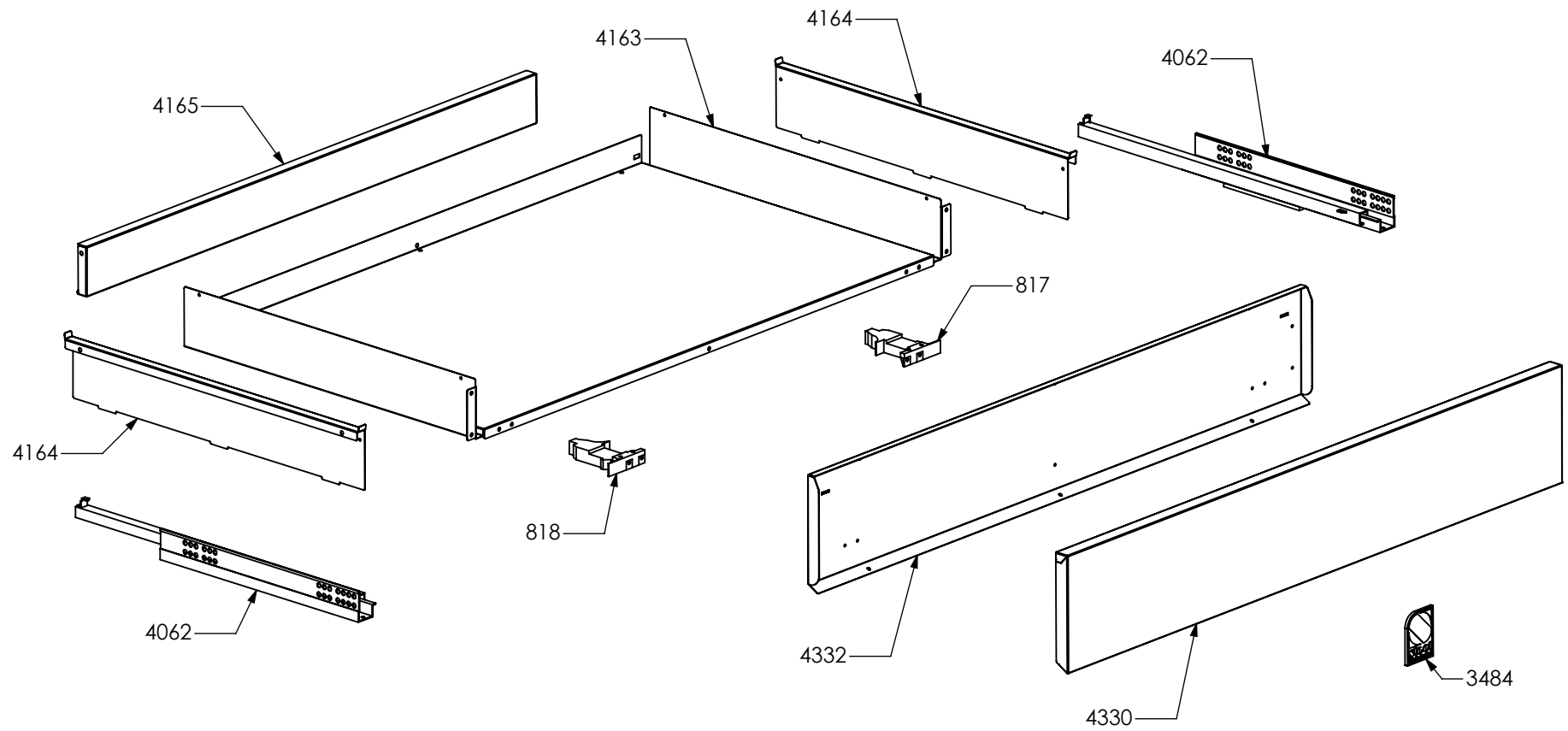
2599



| N° Object | Code | Description | Qty |
|-----------|--------|---|-----|
| 2599 | GR2546 | Assembly glued oven door 30 | 1 |
| 2937 | GR4313 | Assembly door 30/60/90 right bar profile 07 | 1 |
| 2938 | GR4314 | Assembly door 30/60/90 left bar profile 07 | 1 |
| 1224 | ZS2311 | Inner glass oven door 30 | 1 |
| 1256 | ZS2390 | In-between glass oven door 30 04 | 1 |
| 1277 | ZS2414 | Door hinge for oven 60 G | 2 |
| 1280 | ZS2419 | Spring for door glass assembling 04 | 6 |
| 1356 | ZS2507 | Door oven handle for oven 30 chromed SLT | 1 |
| 1381 | ZS2546 | Glued external oven door 30 KL | 1 |
| 2943 | ZS4746 | Right support for inner glass | 1 |
| 2944 | ZS4747 | Left support for inner glass | 1 |



| N° Object | Code | Description | Qty | N° Object | Code | Description | Qty |
|-----------|--------|---|-----|-----------|------|-------------|-----|
| 82 | 481403 | Thermoswitch 16 Ampere | 1 | | | | |
| 103 | 482072 | Upper heating element cooker | 1 | | | | |
| 123 | 541011 | Spacer washer for built-in oven | 2 | | | | |
| 128 | 601152 | Spring fixing feeler for built-in oven | 2 | | | | |
| 188 | ZS7653 | Lower heating element for oven 30 | 1 | | | | |
| 1209 | 414559 | Lateral frame support for built-in oven | 6 | | | | |
| 1217 | ZS2283 | Oven lateral frame 30/60/90 | 2 | | | | |
| 1220 | ZS2287 | Chromed wire grid for oven 30 | 1 | | | | |
| 1260 | ZS2395 | Hinge support 06 | 2 | | | | |
| 1303 | ZS2454 | Lower heating elem.support oven 30 04 | 1 | | | | |
| 1304 | ZS2455 | Lower heating element tray oven 30 04 | 1 | | | | |
| 1319 | ZS2488 | Trivet for oven 30 04 | 1 | | | | |
| 1413 | ZS2599 | Gasket oven 30 04 | 1 | | | | |
| 1422 | ZS2627 | White glass wool for rear side 30 oven 04 | 1 | | | | |
| 1423 | ZS2628 | White glass wool for 30 oven 04 | 1 | | | | |
| 1467 | ZS2604 | Support for safety thermostat 04 | 1 | | | | |
| 1760 | ZS3078 | Telescopic liner left | 1 | | | | |
| 1761 | ZS3079 | Telescopic liner right | 1 | | | | |
| 4115 | ZS6631 | Complete Lamp-holder for oven (max 25 W) | 1 | | | | |
| 5932 | ZP0119 | Turnspit hole cap | 1 | | | | |
| 6128 | ZC0296 | Side muffle oven 30/60/90 enamelled 04 grey | 2 | | | | |
| 6277 | ZC0348 | Enamelled muffle ceiling oven 30 grey | 1 | | | | |
| 6282 | ZC0355 | Enamelled drip tray for oven 30 grey | 1 | | | | |
| 6286 | ZC0361 | Muffle rear side oven 30 enamelled grey | 1 | | | | |
| 6298 | ZC0351 | Enamelled muffle front side oven 30 grey | 1 | | | | |
| 6299 | ZC0359 | Enamelled muffle bottom for oven 30 grey | 1 | | | | |
| 6301 | ZC0365 | Grill heating element support for muffle oven 30 enamelled grey | 1 | | | | |



| N° Object | Code | Description | Qty |
|-----------|--------|---|-----|
| 817 | ZS0458 | Drawer right regulation clip | 1 |
| 818 | ZS0459 | Drawer left regulation clip | 1 |
| 3484 | ZS5647 | "Steel - Stile in cucina" plate | 1 |
| 4062 | ZS6372 | Couple legobox rails partial opening push pull | 1 |
| 4163 | ZS6680 | Bottom drawer for cooker 100 double oven S.Steel | 1 |
| 4164 | ZS6681 | Drawer lateral side for cooker S.Steel | 2 |
| 4165 | ZS6682 | Drawer rear side for cooker 100 double oven S.Steel | 1 |
| 4330 | ZS6840 | Drawer door cooker 100 DC SF S.Steel | 1 |
| 4332 | ZS6870 | Counterdoor drawer cooker 100 DC SF | 1 |

| N° Object | Code | Description | Qty |
|-----------|--------|--|-------|
| 132 | ZS5148 | Adhesive tape 16,5 m x 19h (3M) | 80 |
| 725 | 601108 | Anti-overturning device | 0,3 |
| 1210 | ZS5149 | Adhesive tape 33 mt x 17h mm x th 0,6 mm (3M 4930) | 40 |
| 1329 | ZS5150 | Adhesive tape 33 mt x 25h mm x Th 1.55 mm (3M) | 18000 |
| 1586 | ZS2770 | Additional wiring generic L=75 cm Fem Fem | 2 |
| 2205 | ZS3753 | Tapping screw M5 s.steel | 2 |
| 3737 | ZS2675 | Wiring oven 30 NF | 1 |
| 5050 | ZS7813 | Instruction booklet Top/Cooker Multilanguage | 1 |
| 5212 | ZS8219 | Aluminium adhesive badge "CombiSteam" | 1 |
| 5357 | ZS8592 | Instruction booklet Combi Steam oven Steel | 1 |
| 6115 | ZA0632 | Wiring diagram for cooker S10SF-6I | 1 |