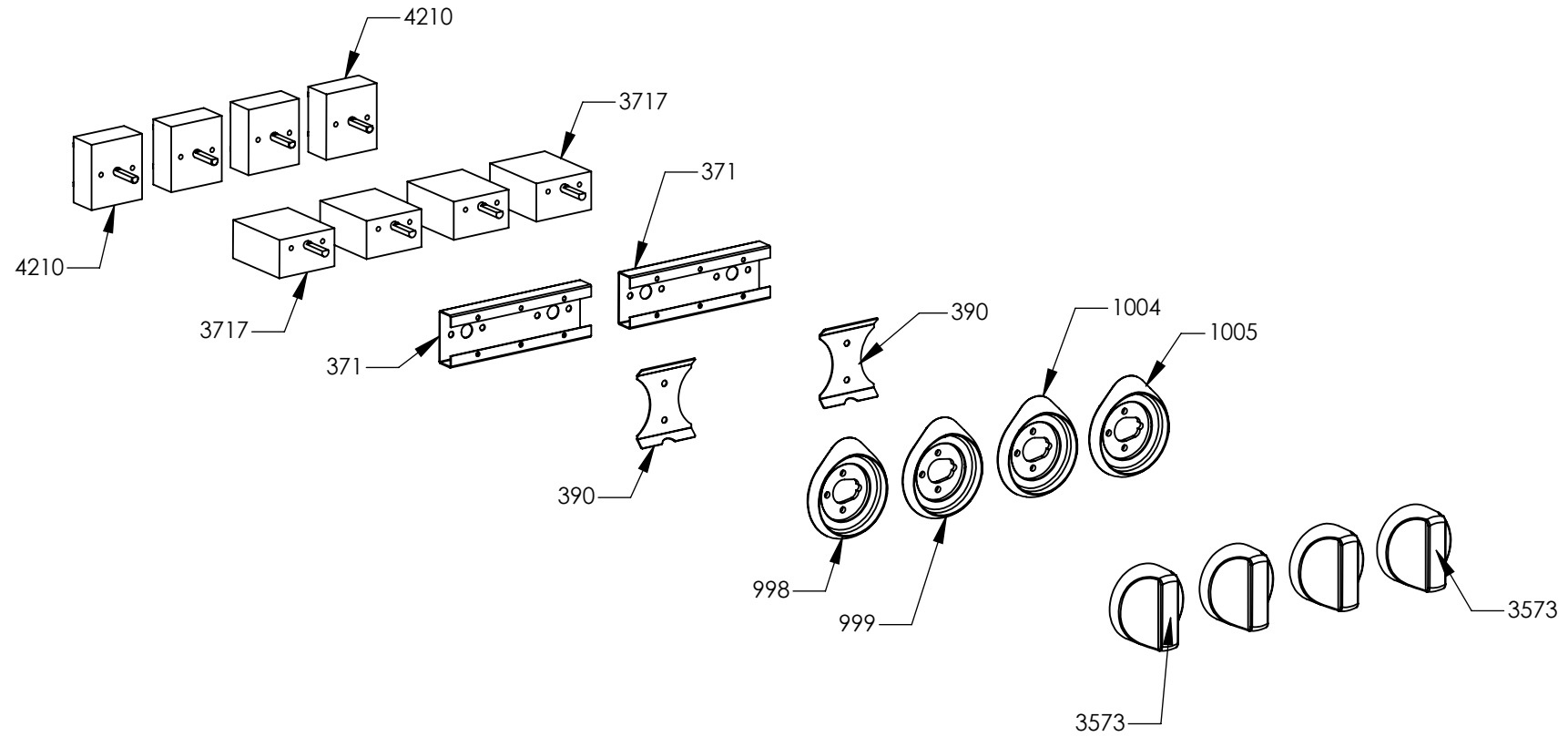
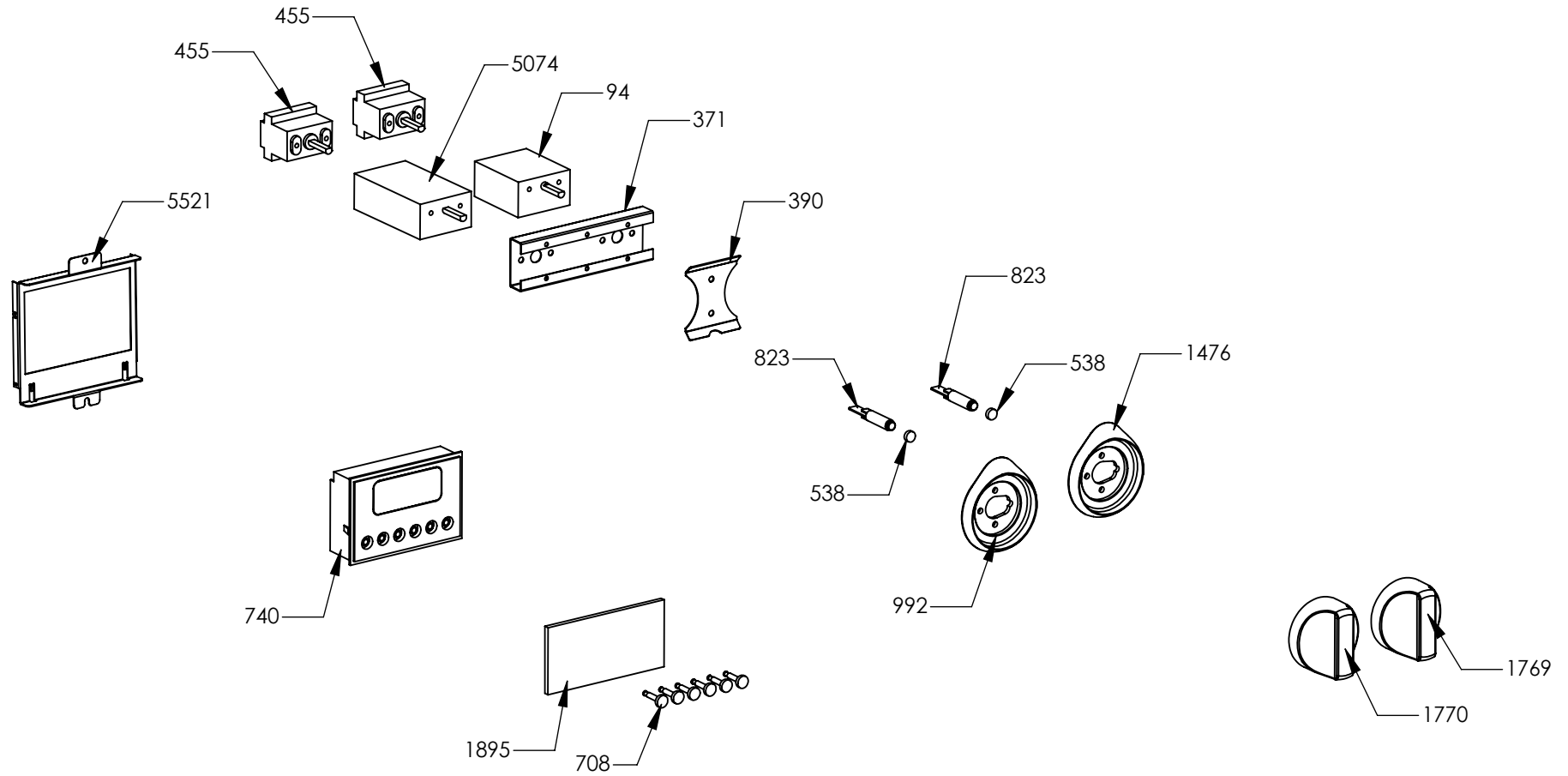


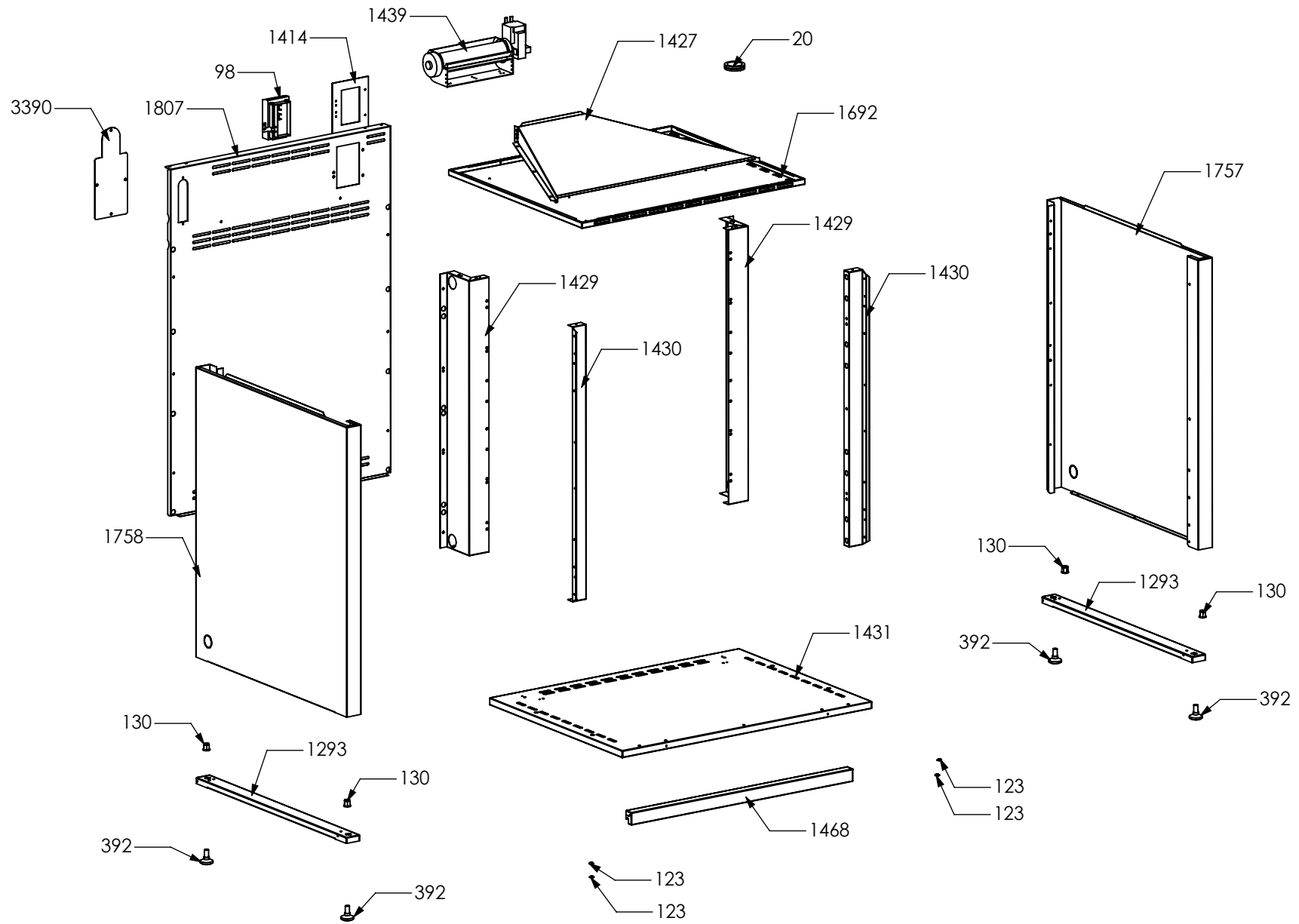
N° Object	Code	Description	Qty
1014	ZS2026	Thermostat TY60 N.O. fixing B	1
1061	ZS2163	Blocking device for frontal bar profile top SLT	2
1208	GR2282	Assembly frontal bar profile top 70 polished	1
1606	ZS2995	Fixing spring for front profile	10
4266	ZS6787	Encoders control board	1
4538	ZS7118	Clamp support for induction 70 Sintesi front	1
4669	GR7309	Assembly cooktop cooker 70 induction	1
1023	ZS2093	Sintesi upper right side clamp 62.5 extended	1
1024	ZS2094	Sintesi upper left side clamp 62.5 extended	1
1441	ZS2665	Support for fan timelag device	1
1667	ZS3012	Upper lateral panel right side	1
1668	ZS3014	Upper lateral panel left side	1
1612	ZS3020	Support for connection top-base	2
5503	ZS6140	Display support	1
4710	ZS6299	Glass for 70 induction cooker	1
4714	ZS6821	Support for electronic control induction element	1
4717	ZS7124	Clamp support for induction 70 Sintesi rear	1
4725	ZS7250	Induction 4 element EGO	1
5779	ZS6134	Rear side closing 070 cooker	1
5783	ZS6817	Feet for electronic components EGO	3
5784	ZS6904	Cover for induction terminal board	1
5785	ZS6905	Bridge for induction terminal board	1
5843	ZS8868	Rear side closing 070 cooker inside	1



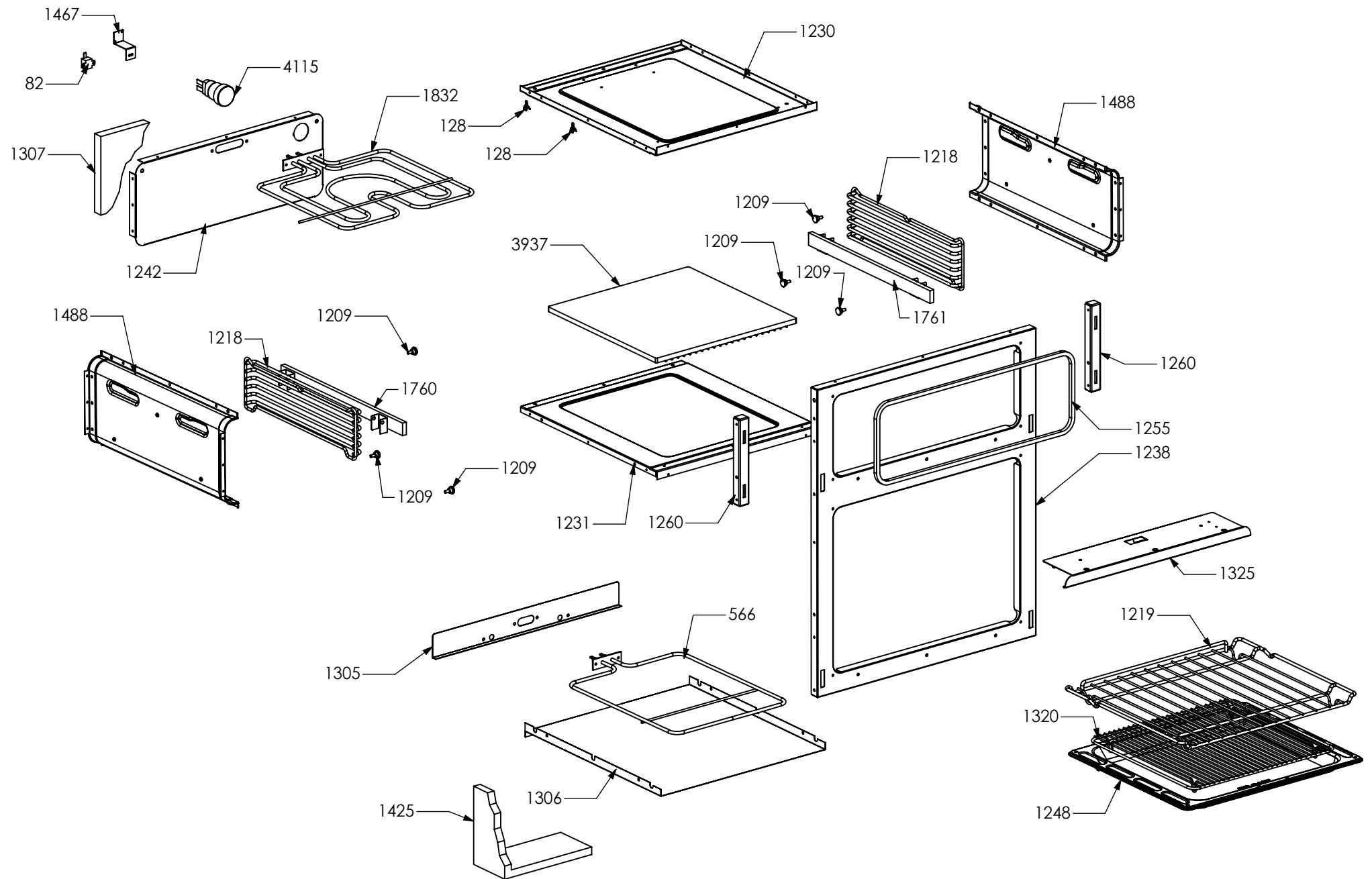
N° Object	Code	Description	Qty
371	ZS0802	Commutator support 2 controls	2
390	ZS0890	Spring for el. controls support	2
998	ZS1646	Bezel for front left burner knob 58, bright chromed	1
999	ZS1647	Bezel for rear left burner knob 58, bright chromed	1
1004	ZS1652	Bezel for front right burner knob 58, bright chromed	1
1005	ZS1653	Bezel for rear right burner knob 58, bright chromed	1
3573	ZS5870	Knob 58 induction element SLT	4
3717	ZS6026	Switch for induction encoder	4
4210	ZS5377	Energy regulator for induction 230 V EGO EU	4



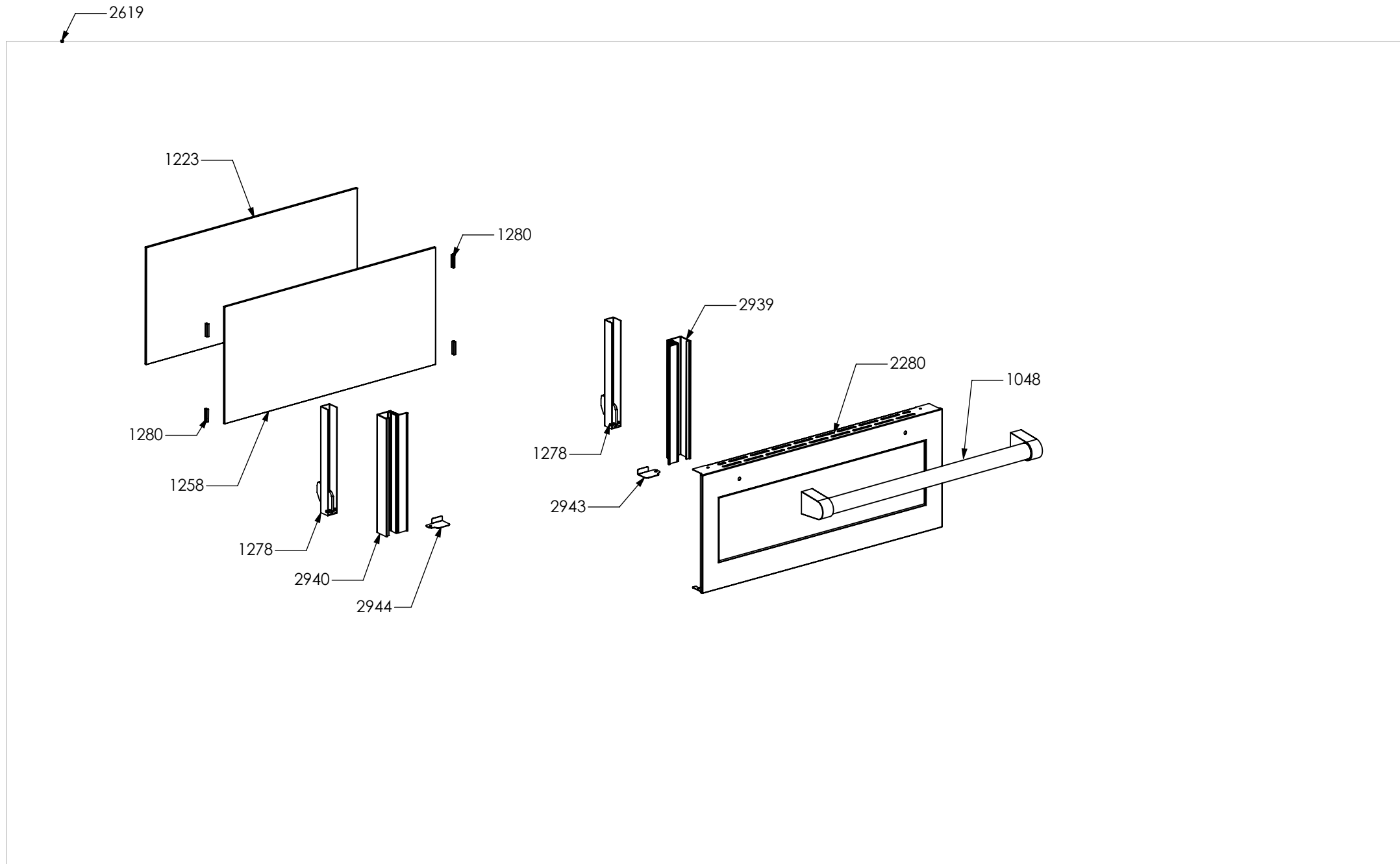
N° Object	Code	Description	Qty
94	481814	Commutator multif. for 90 built-in oven(no pizza)	1
371	ZS0802	Commutator support 2 controls	1
390	ZS0890	Spring for el. controls support	1
455	ZS1075	Oven thermostat	2
538	ZS1204	Led transparent	2
708	ZS1916	Knob for timer steel-colour 988	6
740	ZS1747	Timer (blue led) 50 Hz	1
823	ZS1755	Fluorescent orange warning light	2
992	ZS1640	Bezel for 30 oven functions knob 58, bright chromed	1
1476	ZS2774	Bezel for oven 60 functions knob 58, bright chromed	1
1769	ZS3158	Knob 58 for oven temperature SLT	1
1770	ZS3159	Knob 58 grill oven 60 functions SLT	1
1895	ZS3652	Glass lcd 6 button no hole	1
5074	ZS7893	Commutator oven functions 060 R	1
5521	ZS6139	Electrical display support	1



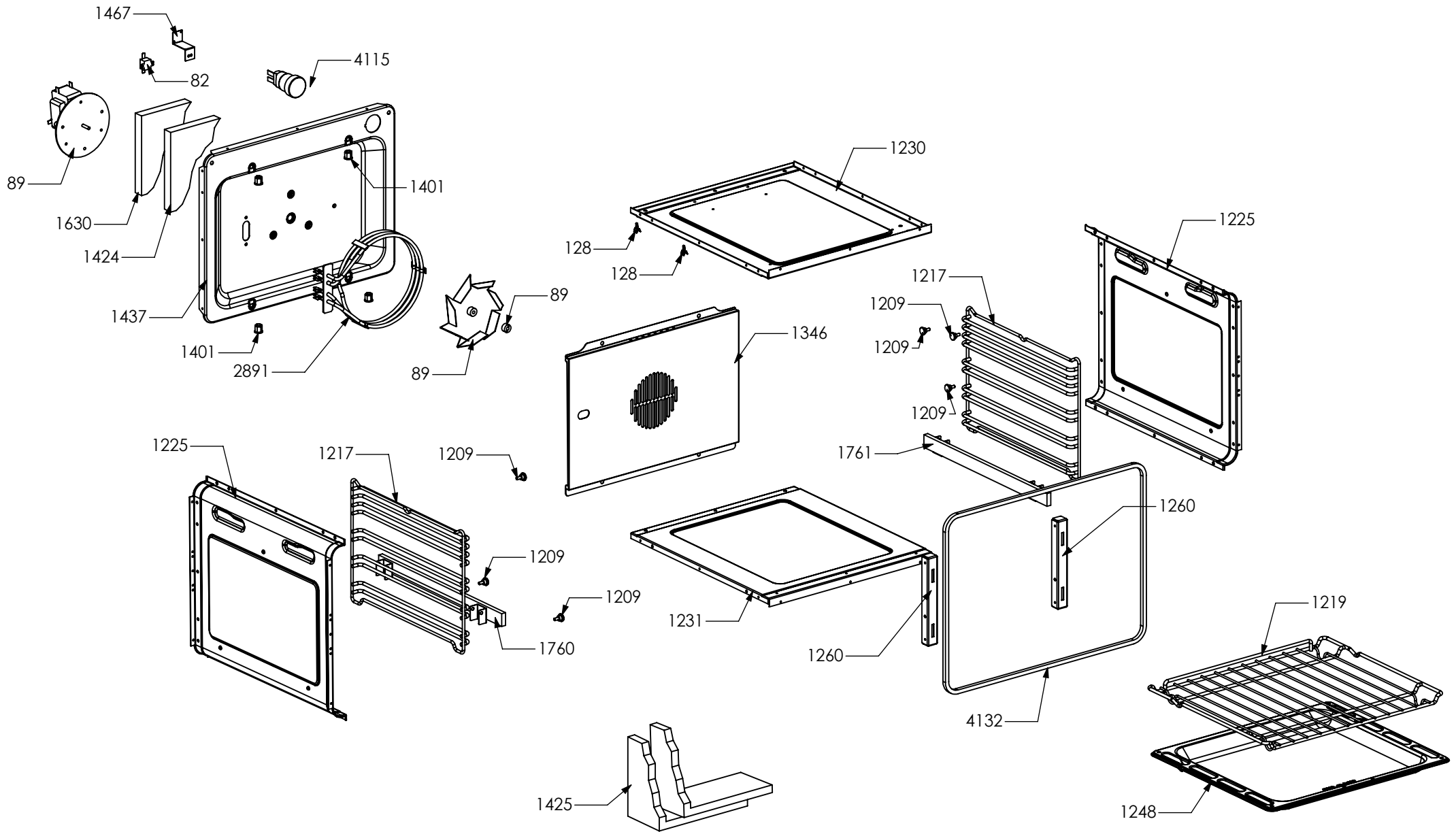
N° Object	Code	Description	Qty
20	401520	Black cap for glass front panel	1
98	481913	Terminal board for oven 32 PA 233	1
123	541011	Spacer washer for built-in oven	4
392	ZS0903	Sintesi black foot H.15	4
1293	GR2439	Assembly complete lower reinforcement right/left side cooker 100TC/70 DC	2
130	601156	Tapping screw M10 galvanized	4
1414	ZS2601	Terminal board support	1
1427	ZS2634	Air conveyor for cooktop 070/070 double oven	1
1429	ZS2636	Rear support for muffle left/right side 070 double oven	2
1430	ZS2637	Front support for muffle left/right side 070 double oven	2
1431	ZS2638	Lower guard for cooker 070 double oven 04	1
1439	ZS2663	Cooling fan L=180 Plaset (AU)	1
1468	ZS2639	Plinth for cooker 70 double oven	1
1692	ZS3053	Muffle fan guard cooker 070/070 double oven	1
1757	ZS3016	Complete lower right side panel	1
1758	ZS3018	Complete lower left side panel	1
1807	ZS3382	Rear guard for cooker 70 DC extended 62.5 06	1
3390	ZS5497	Ramp hole closing plate	1



N° Object	Code	Description	Qty
82	481403	Thermoswitch 16 Ampere	1
128	601152	Spring fixing feeler for built-in oven	2
566	ZS7590	Lower heating element for oven 60 (1200W/230V)	1
1209	414559	Lateral frame support for built-in oven	6
1218	ZS2284	Oven lateral frame 60 R/L	2
1219	ZS2286	Chromed wire grid for oven 60	1
1230	ZS2322	Enamelled muffle ceiling oven 60	1
1231	ZS2324	Enamelled muffle bottom for oven 60	1
1238	ZS2338	Enamelled muffle front side oven 60 DC	1
1242	ZS2344	Muffle rear side oven 60 P enamelled 04	1
1248	ZS2364	Enamelled drip tray for oven 60	1
1255	ZS2389	Gasket grilling oven 60 P	1
1260	ZS2395	Hinge support 06	2
1305	ZS2456	Lower heating elem.support oven 60 double oven 04	1
1306	ZS2459	Lower heating element tray oven 60 04	1
1307	ZS2460	White glass wool for rear side grilling 60 oven	1
1320	ZS2489	Trivet for oven 60 04	1
1325	ZS2496	Grill heating element support for muffle oven 60 enamelled 04	1
1425	ZS2632	White glass wool for 60 oven 04	1
1467	ZS2604	Support for safety thermostat 04	1
1488	ZS2821	Side muffle oven 60 P black self-cleaning enamelled 04	2
1760	ZS3078	Telescopic liner left	1
1761	ZS3079	Telescopic liner right	1
1832	482094	Grill heating element for oven 60 (1900+850W)	1
3937	ZS6339	Ceramic tiles for oven	1
4115	ZS6631	Complete Lamp-holder for oven (max 25 W)	1

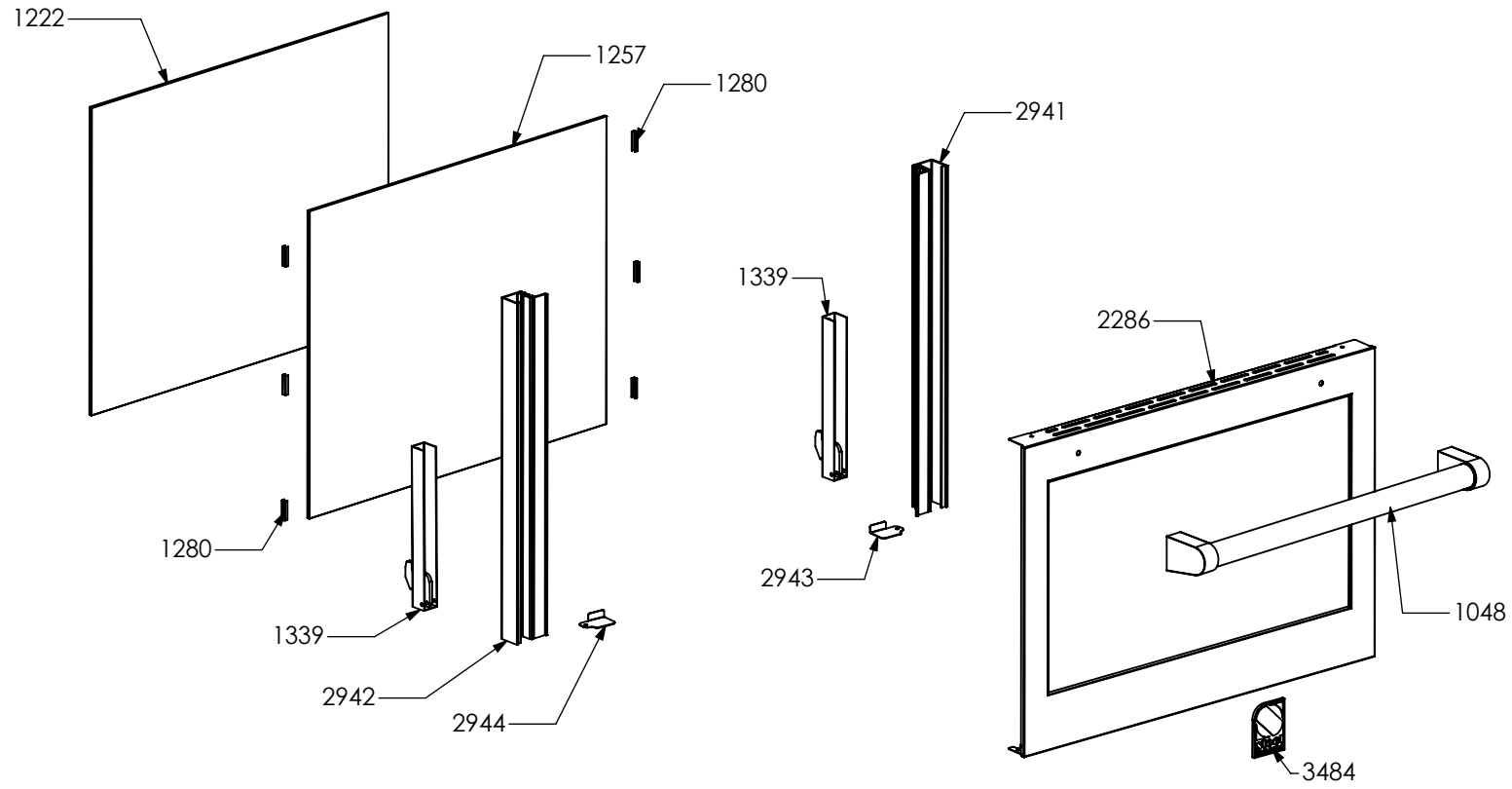


N° Object	Code	Description	Qty
2619	GR2622	Assembly glued oven door 60 P/070 double oven	1
2939	GR4315	Assembly door grilling oven 60 right bar profile 07	1
2940	GR4316	Assembly door grilling oven 60 left bar profile 07	1
1048	ZS2130	Door oven handle for oven 60 chromed SLT cooker 100	1
1223	ZS2310	Inner glass oven door 60 P	1
1258	ZS2392	In-between glass oven door 60 P 04	1
1278	ZS2415	Door hinge for grilling oven 60	2
1280	ZS2419	Spring for door glass assembling 04	4
2280	ZS4116	Glued external grilling oven door 60/070 double oven Ascot	1
2943	ZS4746	Right support for inner glass	1
2944	ZS4747	Left support for inner glass	1



N° Object	Code	Description	Qty
82	481403	Thermoswitch 16 Ampere	1
89	481727	Circular tangential oven 90 fan (AU) with fan and nut	1
128	601152	Spring fixing feeler for built-in oven	2
1209	414559	Lateral frame support for built-in oven	6
1217	ZS2283	Oven lateral frame 30/60/90	2
1219	ZS2286	Chromed wire grid for oven 60	1
1225	ZS2312	Side muffle oven 30/60/90 enamelled 04	2
1230	ZS2322	Enamelled muffle ceiling oven 60	1
1231	ZS2324	Enamelled muffle bottom for oven 60	1
1248	ZS2364	Enamelled drip tray for oven 60	1
1260	ZS2395	Hinge support 06	2
1346	ZS2484	Fan cover for oven 60 with turnspit hole BLACK	1
1424	ZS2629	White glass wool for rear side 60 oven 04	1
1425	ZS2632	White glass wool for 60 oven 04	2
1437	GR2660	Assembly rear muffle oven 60/100 TC enamelled 04	1
1401	ZS2585	Tapping screw M5 aluminium	4
1467	ZS2604	Support for safety thermostat 04	1
1630	ZS3048	White glass wool for rear side 60 oven	1
1760	ZS3078	Telescopic liner left	1
1761	ZS3079	Telescopic liner right	1
2891	482589	Circular heating element 230V-2100W	1
4115	ZS6631	Complete Lamp-holder for oven (max 25 W)	1
4132	ZS6541	Gasket oven 60 H=8.9 mat HT	1

2636



N° Object	Code	Description	Qty
2636	GR2820	Assembly glued oven door 60 G/070 double oven	1
2941	GR4317	Assembly door 60 right bar profile 07	1
2942	GR4318	Assembly door 60 left bar profile 07	1
1048	ZS2130	Door oven handle for oven 60 chromed SLT cooker 100	1
1222	ZS2309	Inner glass oven door 60 G	1
1257	ZS2391	In-between glass oven door 60 G 04	1
1339	ZS2416	Door hinge for multifunction oven 60	2
1280	ZS2419	Spring for door glass assembling 04	6
2286	ZS4122	Glued external oven door 60 G/070 double oven Ascot	1
2943	ZS4746	Right support for inner glass	1
2944	ZS4747	Left support for inner glass	1
3484	ZS5647	"Steel - Stile in cucina" plate	1

N° Object	Code	Description	Qty
132	ZS5148	Adhesive tape 16,5 m x 19h (3M)	20
725	601108	Anti-overturning device	0,3
1210	ZS5149	Adhesive tape 33 mt x 17h mm x th 0,6 mm (3M 4930)	80
1329	ZS5150	Adhesive tape 33 mt x 25h mm x Th 1.55 mm (3M)	10000
2430	ZS2996	Wire protection d.3,5 vetrotex white	0,8
4748	ZS7357	Wiring diagram for cooker S7FF-4I	1
5050	ZS7813	Instruction booklet Top/Cooker Multilanguage	1