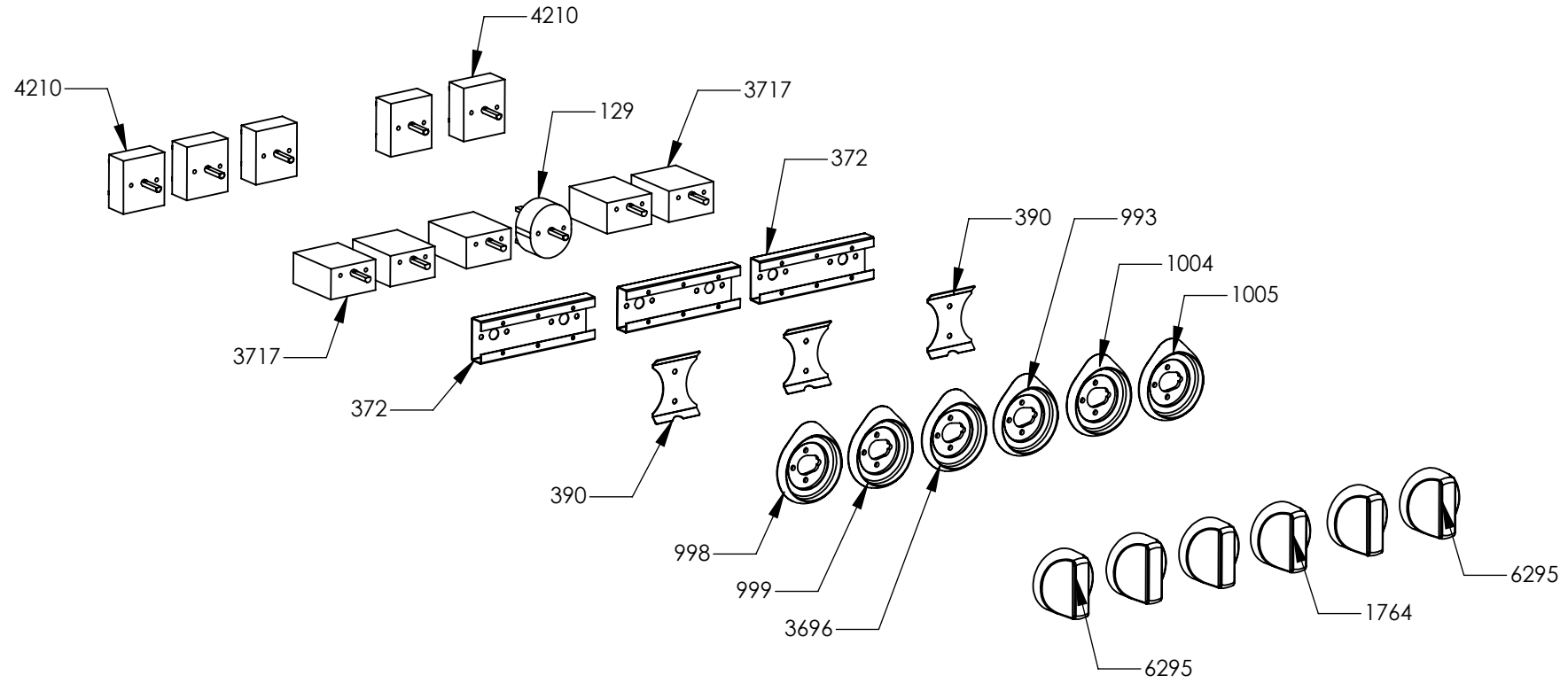


N° Object	Code	Description	Qty
1014	ZS2026	Thermostat TY60 N.O. fixing B	1
1439	ZS2663	Cooling fan L=180 Plaset (AU)	1
1606	ZS2995	Fixing spring for front profile	16
1944	ZS2719	Air conveyor for cooktop 090/100 Prb/Drb	1
4243	ZS6724	Ramp hole closing plate	1
4266	ZS6787	Encoders control board	1
5082	ZS7958	"Steel - Stile in cucina" plate	1
5775	ZS3931	Rear side closing 090 cooker	1
5783	ZS6817	Feet for electronic components EGO	3
5784	ZS6904	Cover for induction terminal board	1
5785	ZS6905	Bridge for induction terminal board	1
5842	ZS8867	Rear side closing 090/100/120 cooker inside	1
6036	ZS8446	Clamp support for induction 90/100 Sintesi front / rear	2
6039	ZS8880	Support for electronic control induction element	1
6071	ZA0469	Induction 5 element OCTA EGO 75.08016.610	1
6096	GP0203	Assembly cooktop cooker 90 induction OCTA	1
6069	ZA0467	Glass for 90 induction hob or cooker	1
6209	ZP0404	Upper lateral panel right side	1
6210	ZP0406	Upper lateral panel left side	1
1023	ZS2093	Sintesi upper right side clamp 62.5 extended	1
1024	ZS2094	Sintesi upper left side clamp 62.5 extended	1
6215	ZP0425	Support for fan timelag device	1
6246	ZP0465	Lower guard for hob 90 sintesi	1
6247	ZP0466	Rear guard for hob 90 Genesi	1



N° Object	Code	Description	Qty
129	601154	Timer	1
372	ZS0803	Commutator support 2 positions	3
390	ZS0890	Spring for el. controls support	3
993	ZS1641	Bezel for timer knob 58, bright chrome	1
998	ZS1646	Bezel for front left burner knob 58, bright chromed	1
999	ZS1647	Bezel for rear left burner knob 58, bright chromed	1
1004	ZS1652	Bezel for front right burner knob 58, bright chromed	1
1005	ZS1653	Bezel for rear right burner knob 58, bright chromed	1
1764	ZS3153	Knob 58 timer SLT	1
3696	ZS5955	Bezel for central external burner knob 58, bright chromed	1
3717	ZS6026	Switch for induction encoder	5
4210	ZS5377	Energy regulator for induction 230 V EGO EU	5
6295	ZA0728	Knob 58 induction element SLT	5

N° Object	Code	Description	Qty
132	ZS5148	Adhesive tape 16,5 m x 19h (3M)	80
725	601108	Anti-overturning device	0,3
1210	ZS5149	Adhesive tape 33 mt x 17h mm x th 0,6 mm (3M 4930)	40
1329	ZS5150	Adhesive tape 33 mt x 25h mm x Th 1.55 mm (3M)	18000
5050	ZS7813	Instruction booklet Top/Cooker Multilanguage	1
6252	ZA0640	Wiring diagram for hob S9-6l	1